

Bracket for Wireless I/O Products

BRK-WQ-Y

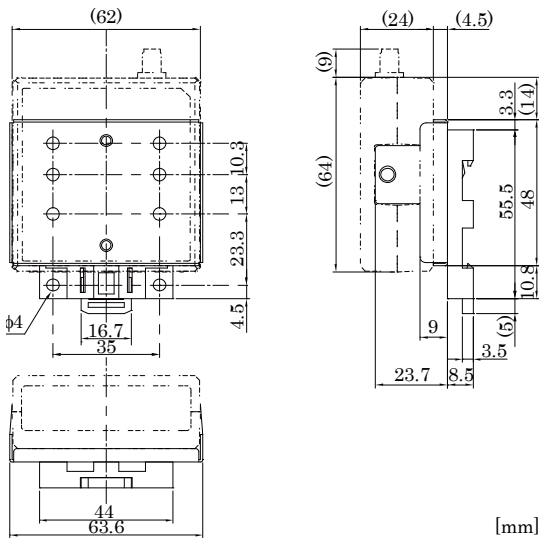


* Specifications, color and design of the products are subject to change without notice.

Specifications

Item	Specifications
Weight	45g

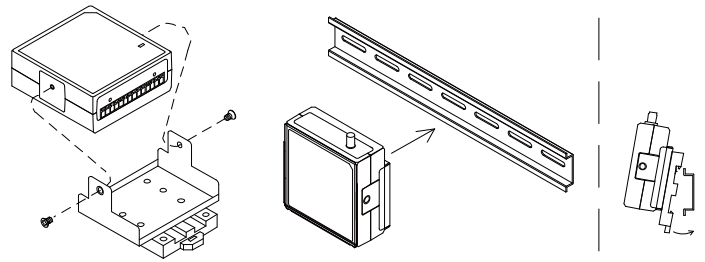
External View and Dimensions



This is a metal fitting to fix CONTEC Sub-GHz Wireless I/O Terminal Series for DIN rail.

Using Method

1. Attach the BRK-WQ-Y to the Sub-GHz wireless I/O terminal product, and secure them using the attached M2 x 5 screws.
2. Pull down the fixed hook at the bottom to unlock, and hang the product on the upper part of the DIN rail, and press it to the lower side of the rail. Then, push up the hook to lock.



Installed Image

The product can be mounted onto the DIN rail with the bracket.



Packing List

- Bracket...1
- User's Guide ...1
- M2 x 5 sems screw ...2

Corresponding products

- DIO-0404LY-WQ
- GW1-ETH-WQ
- AI-1004LY-WQ