

**Key Features:**

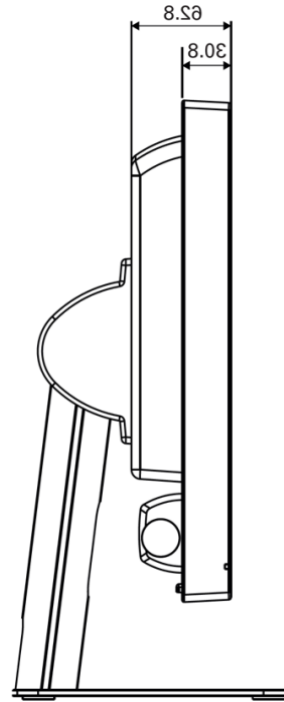
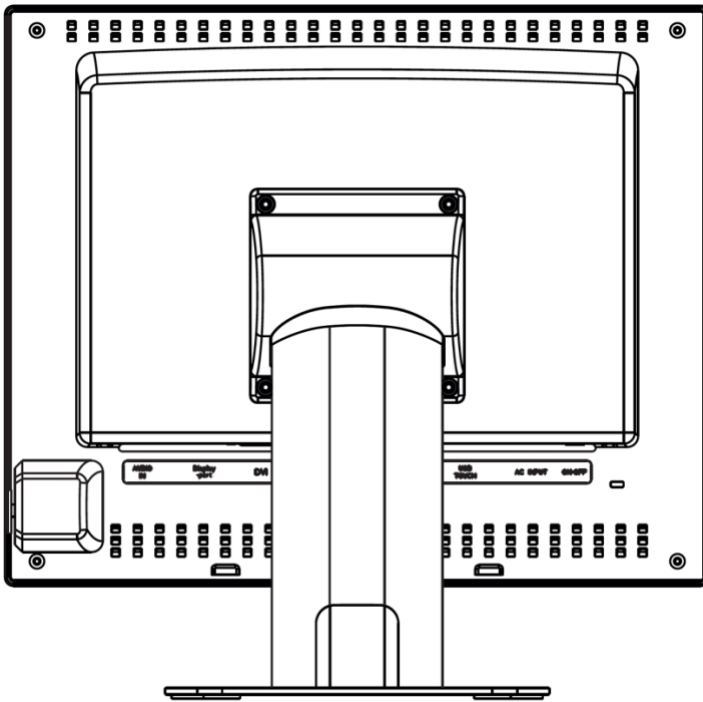
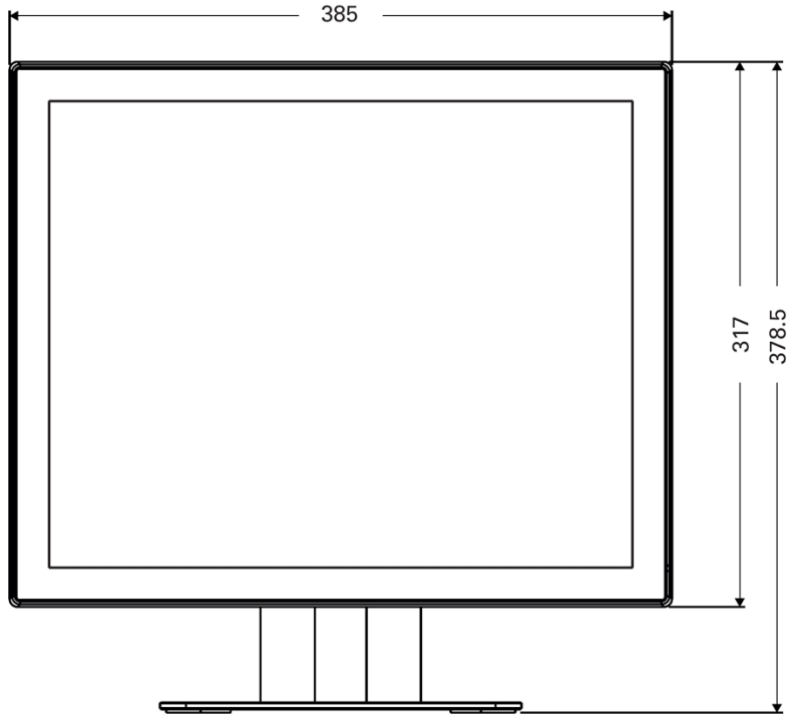
- 17" medical display with 1280 x 1024 (5:4) resolution
- 5W resistive touch with USB/R232 combo touch interface
- 250 nits screen brightness with a high contrast display
- World class medical safety regulations and certifications
- Life cycle management and revision control



Specifications	
<b>Model Number</b>	CM-ME170R25SX
<b>Panel Specification</b>	
Resolution	1280 (H) x 1024 (V)
Screen Size	17
Display Area (mm)	337.92 (H) x 270.336 (V)
Pixel Pitch (mm)	0.264 (H) x 0.264 (V)
Viewing Angle (degree)	170 (H)/160 (V)
Response Time (ms)	5 (on/off)
Brightness (cd/m <sup>2</sup> )	250 (typ.)
Contrast Ratio	1000:1 (typ.)
Color Depth (bits)	8
<b>I/O Interface</b>	
DVI	1x DVI-D
DP	N/A
VGA	1x D-Sub15
HDMI	N/A
Audio	3.5mm
<b>Touch</b>	
Type	5-Wire Resistive
Touch Point	1
Screen Printing	N/A
Glass Coating	AG

Specifications	
<b>Model Number</b>	CM-ME170R25SX
Interface	Combo (USB/RS232)
<b>Features</b>	
Color Temperature	Neutral/Warm/Cool/User
Gamma Selection	1.8/2.0/2.2/DICOM
Gamma LUT (bits)	10
OSD Languages	English/French/German/Italian/Spanish/Japanese
Speaker	2W Speaker
Scaling Mode	N/A
<b>Power</b>	
Power Supply	AC 100~240V/DC 12V
Power Consumption	30 (Max)
<b>Physical Properties</b>	
Dimensions (WxHxD) mm	3 385 x 378.5 x 175 (with Stand) 385 x 317 x 62.8 (w/o Stand) 367.6 x 302.6 x 55.8 (Open-Frame)
VESA Mounting (mm)	75 x 75 / 100 x 100
Weight (kg)	5.6 (w/ Stand) 3.8 (w/o Stand) 3.1 (Open-Frame)
ID Color	White/Black
IP Rating (Front)	NA
IP Rating (Back Cover)	IPX1
Tilt Range (degree)	0~+30
Pivot Range (degree)	NA
Swivel Range (degree)	NA
Height Adjustment (mm)	NA
<b>Reliability</b>	
Operating Temperature (°C)	10 to 40
Operating Humidity (RH)	30% to 75%
Storage Temperature (°C)	-20 to 60
Storage Humidity (RH)	10% to 90%
<b>Regulatory Certifications</b>	
Certifications and Compliances	UL/cUL (60601 Ed3.1), CB (60601 Ed3.1), CE, FCC-B, VCCI-B
Warranty	3 years

Drawings



**Ordering Instructions**

<b>CM-ME170R Series</b>		
<b>Model Number</b>	<b>Ordering PN</b>	<b>Description</b>
CM-ME170R25X	22124	17" 1280 x 1024, 250 nits 5W Resistive Touch Medical Monitor, 10 to 40 C

**Contec Americas Inc.**

3991 Sarno Rd.  
Melbourne, FL 32934  
USA

**Toll Free:** (888) 285-0172

**Local:** (321) 728-0172

**Email:** [sales@us.contec.com](mailto:sales@us.contec.com)

**Visit:** [www.Contec.com](http://www.Contec.com)