

**Key Features:**

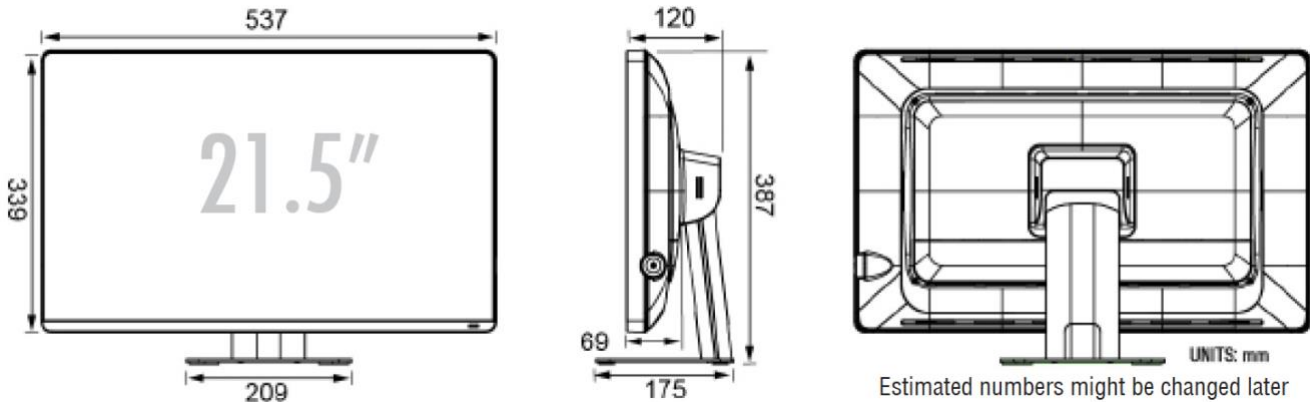
- 21.5" medical display 1920 x 1080 (16:9) resolution
- PCAP touch with USB/RS232 combo interface
- True-Flat Front IPx5 monitor for easy cleaning and sanitization
- DICOM Part 14 compliant with 12 bits LUT
- World class medical safety regulations and certifications
- Life cycle management and revision control



| Specifications                  |                       |
|---------------------------------|-----------------------|
| Model Number                    | CM-ME215P35FH         |
| <b>Panel Specification</b>      |                       |
| Resolution                      | 1920(H) x 1080(V)     |
| Screen Size                     | 21.5                  |
| Display Area (mm)               | 476.06(H) x 267.79(V) |
| Pixel Pitch (mm)                | 0.248(H) x 0.248(V)   |
| Viewing Angle (degree)          | 178 (H)/178(V)        |
| Response Time (ms)              | 22 (on/off)           |
| Brightness (cd/m <sup>2</sup> ) | 350 (typ.)            |
| Contrast Ratio                  | 1000:1 (typ.)         |
| Color Depth (bits)              | 8                     |
| <b>I/O Interface</b>            |                       |
| DVI                             | DVI-D x1              |
| DP                              | DP1.1 x1              |
| VGA                             | D-Sub15x1             |
| HDMI                            | N/A                   |
| Audio                           | 3.5mm                 |
| <b>Touch</b>                    |                       |
| Type                            | P-CAP                 |
| Touch Point                     | 10                    |
| Screen Printing                 | Black                 |
| Glass Coating                   | AG                    |

| Specifications                   |  |
|----------------------------------|--|
| <b>Model Number</b>              | CM-ME215P35FH                                      |
| Interface                        | Combo (USB/RS232)                                  |
| <b>Features</b>                  |  |
| Color Temperature                | Neutral/Warm/Cool/User                             |
| Gamma Selection                  | Neutral/2.2/DICOM                                  |
| Gamma LUT (bits)                 | 12   |
| OSD Languages                    | English/French/German/Italian/Spanish/Japanese     |
| Speaker                          | 2W Speaker   |
| Scaling Mode                     | Full/5:4/4:3/16:9/1:1                              |
| <b>Power</b>                     |  |
| Power Supply                     | DC 24V   |
| Power Consumption                | 40 (Max)   |
| <b>Physical Properties</b>       |  |
| Dimensions (WxHxD) mm            | 537*387*175 (with Stand)<br>537*339*69 (w/o Stand) |
| VESA Mounting (mm)               | 100 x 100  |
| Weight (kg)                      | 8.2 (with Stand)<br>6.5 (w/o Stand)                |
| ID Color                         | White/Black  |
| IP Rating (Front)                | IP65   |
| IP Rating (Back Cover)           | IPX1   |
| Tilt Range (degree)              | 0~+30  |
| Pivot Range (degree)             | NA   |
| Swivel Range (degree)            | NA   |
| Height Adjustment (mm)           | NA   |
| <b>Reliability</b>               |  |
| Operating Temperature (°C)       | 10 to 40   |
| Operating Humidity (RH)          | 30% to 75%   |
| Storage Temperature (°C)         | -20 to 60  |
| Storage Humidity (RH)            | 10% to 90%   |
| <b>Regulatory Certifications</b> |  |
| Certifications and Compliances   | cTUVus(60601 Ed3.1), CB (60601 Ed3.1), CE, FCC-B   |
| Warranty                         | 3 years  |

Drawings



Ordering Information

| CM-ME215P Series |             |  |
|------------------|-------------|--|
| Model Number     | Ordering PN | Description  |
| CM-ME215P35FH    | 22127       | 21.5" 1920 x 1080, 350 nits PCAP Touch Medical Monitor, 10 to 40 C |

**Contec Americas Inc.**

3991 Sarno Rd.  
Melbourne, FL 32934  
USA

**Toll Free:** (888) 285-0172

**Local:** (321) 728-0172

**Email:** [sales@us.contec.com](mailto:sales@us.contec.com)

**Visit:** [www.Contec.com](http://www.Contec.com)