

Key Features:

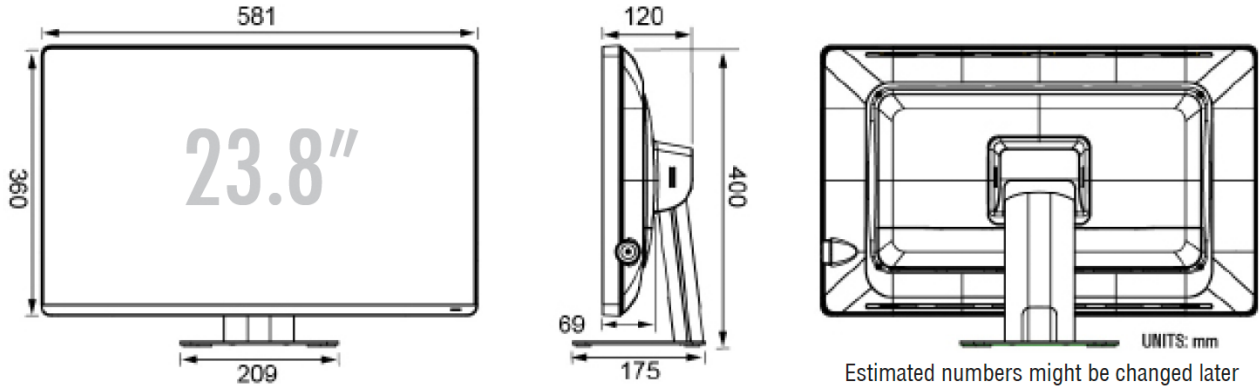
- 24" medical display 1920 x 1080 (16:9) resolution
- PCAP touch with USB/RS232 combo interface
- True-Flat Front IP65 monitor for easy cleaning and sanitization
- DICOM Part 14 compliant
- 250 nits screen brightness
- IEC 60601 safety and performance rated
- Life cycle management and revision control



Specifications	
Model Number	CM-ME238P25FH
Panel Specification	
Resolution	1920 (H) x 1080 (V)
Screen Size	23.8
Display Area (mm)	527.04 (H) x 296.24 (V)
Pixel Pitch (mm)	0.274 (H) x 0.274 (V)
Viewing Angle (degree)	178 (H)/ 178 (V)
Response Time (ms)	14 (GtG)
Brightness (cd/m ²)	250 nits
Contrast Ratio	1000:1 (typ.)
Color Depth (bits)	6 +FRC
I/O Interface	
DVI	DVI-D x1
DP	DP1.1 x1
VGA	D-Sub15x1
HDMI	N/A
Audio	3.5mm
Touch	
Type	P-CAP
Touch Point	10
Screen Printing	Black
Glass Coating	AG

Specifications	
Model Number	CM-ME238P25FH
Interface	Combo (USB/RS232)
Features	
Color Temperature	Neutral/Warm/Cool/User
Gamma Selection	1.8/2.0/2.2/DICOM
Gamma LUT (bits)	12
OSD Languages	English/French/German/Italian/Spanish/Japanese
Speaker	2W Speaker
Scaling Mode	Full/5:4/4:3/16:9/1:1
Power	
Power Supply	DC 24V
Power Consumption	40 (Max)
Physical Properties	
Dimensions (WxHxD) mm	581 x400 x175 (with Stand) 581 x360 x69 (w/o Stand)
VESA Mounting (mm)	100 x 100
Weight (kg)	9.5 (with Stand) 7.7 (w/o Stand)
ID Color	White/Black
IP Rating (Front)	IP65
IP Rating (Back Cover)	IPX1
Tilt Range (degree)	0~+30
Pivot Range (degree)	NA
Swivel Range (degree)	NA
Height Adjustment (mm)	NA
Reliability	
Operating Temperature (°C)	10 to 40
Operating Humidity (RH)	30% to 75%
Storage Temperature (°C)	-20 to 60
Storage Humidity (RH)	10% to 90%
Regulatory Certifications	
Certifications and Compliances	UL/cUL (60601 Ed3.1),CB (60601 Ed3.1),CE,FCC-B
Warranty	3 years

Drawings



Ordering Instructions

CM-ME238P Series		
Model Number	Ordering PN	Description
CM-ME238P25FH	22128	23.8" 1920 x 1080, 250 nits PCAP Touch Medical Monitor, 10 to 40 C

Contec Americas Inc.

3991 Sarno Rd.
Melbourne, FL 32934
USA

Toll Free: (888) 285-0172

Local: (321) 728-0172

Email: sales@us.contec.com

Visit: www.Contec.com