

CONPROSYS Series
Serial I/O Module RS-232C
CPS-COM-1PC (1ch type)
CPS-COM-2PC (2ch type)



*The photograph is a CPS-COM-2PC.
* Specifications, color and design of the products are subject to change without notice.

Features

RS-232C serial communication, supporting 921,600bps to the maximum
CPS-COM-1PC has 1channel of RS-232C-compliant serial port, and CPS-COM-2PC has 2channels of RS-232C-compliant serial port.

Baud rates from 15 to 921,600bps can be set per each channel.

Compact design
Compact design, 25.2 (W)×94.7(D)×124.8 (H), features flexibility in installation.

Adaptable to a temperature range between -20 and +60°C
The product is capable of operating in the temperature between -20 and + 60°C. It can be installed in the various environments.

Installation easy with two pieces of terminal support and DIN rail
You can install and remove a terminal connector without a screwdriver so that it can shorten the time of the replacement. As the product can be not only mounted on DIN rail, but also is removable along the side rails, replacing is simple and easy as well.

Equipped with LED for an operation check
The product has LED for an operation check, which helps you visually confirm the communication status of each interface.

No electrolytic capacitor battery
No electrolytic capacitor is used. The Contec is creating the product with a longer life.

This product is an extension COM port that performs serial communication with an external device and operates along with the configurable type controller of our CONPROSYS series.

CPS-COM-1PC has 1channel of RS-232C communication port, and CPS-COM-2PC has 2channels of RS-232C communication port.

* The contents in this document are subject to change without notice.
* Visit the CONTEC website to check the latest details in the document.
* The information in the data sheets is as of December, 2022.

Specifications

Function specifications

Item	CPS-COM-1PC	CPS-COM-2PC
Number of channels	1ch	2ch
Interface type	RS-232C	
Transfer method	Asynchronous serial transfer	
Isolation	Channel Isolation, Bus Isolation	
Voltage resistance	1000VDC	
Baud rate	15 - 921,600bps *1	
Data length	5, 6, 7, 8 bits , 1, 1.5, 2 stop bits *1	
Parity check	Even, Odd, Non-parity *1	
Buffer memory	It has 128-byte receive and 128-byte transmit FIFO buffers.	
Connector	9-pin D-SUB Connector (Male)	
LED	Status (Green, Red), Transmission (Green), Reception (Green)	
Supply voltage	24VDC (±10%)	
Current consumption	0.1A (Max)	0.2A (Max)
Physical dimensions (mm)	25.2(W)×94.7(D)×124.8(H) (No projection included)	
Weight	170g	
Installation method	Quick mounting on the 35mm DIN rail	

*1 These items can be set by software.

Caution

The maximum number of stacking devices operating along with the stack type controller is 16 and the total current consumption of the devices should be less than 3.3A.

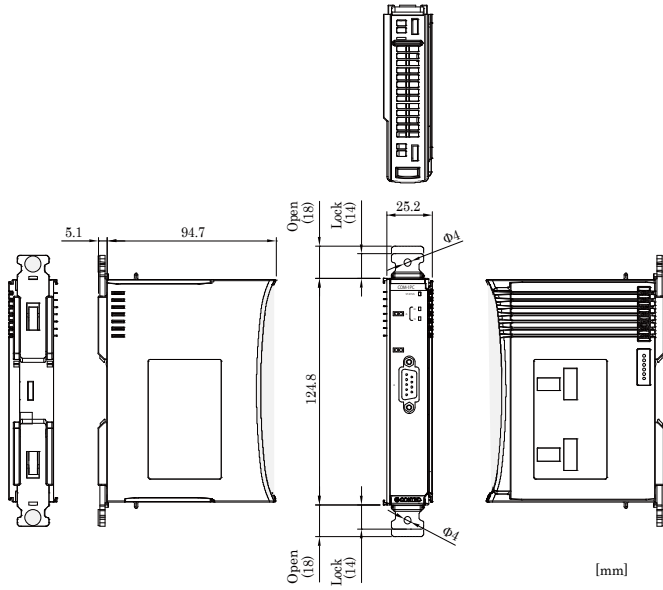
Installation Environment Requirements

Item	CPS-COM-1PC	CPS-COM-2PC
Operating ambient temperature	-20 - +60°C	
Operating ambient humidity	10 - 90%RH (No condensation)	
Non-operating ambient temperature	-20 - +60°C	
Non-operating ambient humidity	10 - 90%RH (No condensation)	
Floating dust particles	Not to be excessive	
Corrosive gases	None	
Line-noise resistance	Line noise	Signal Line /±1kV(IEC61000-4-4 Level 3, EN61000-4-4 Level 3)
	Static electricity resistance	Touch /±4kV(IEC61000-4-2 Level 2, EN61000-4-2 Level 2) Air /±8kV(IEC61000-4-2 Level 3, EN61000-4-2 Level 3)
Vibration resistance	Sweep resistance	10 - 57Hz *2 /semi-amplitude vibration 0.15mm, 57 - 150Hz/2.0G 40minutes each in X, Y, and Z directions (JIS C60068-2-6-compliant, IEC60068-2-6-compliant)
Shock resistance	15G half-sine shock for 11ms in X, Y, and Z directions (JIS C 60068-2-27 -compliant, IEC 60068-2-27 -compliant)	
Standard	VCCI Class A, FCC Class A, CE Marking (EMC Directive Class A, RoHS Directive), UKCA, UL/c-UL	

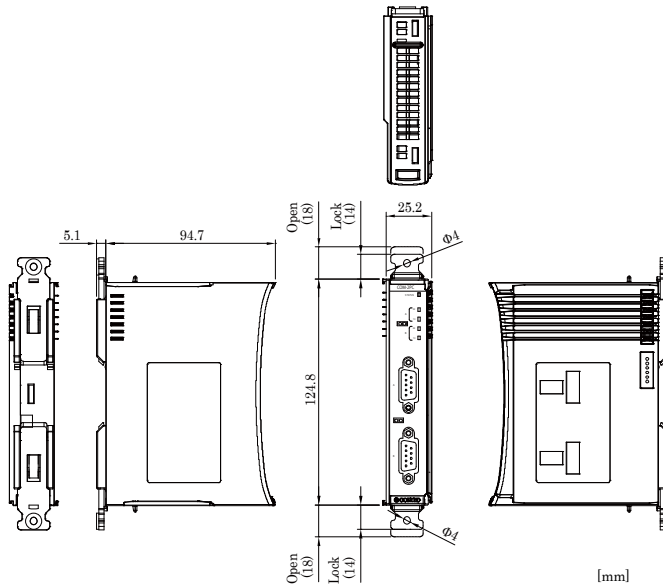
*2 With the optional DIN rail fitting power supply : 10 - 55Hz (for details, see the user's guide of the optional power supply)

Physical Dimensions

CPS-COM-1PC



CPS-COM-2PC

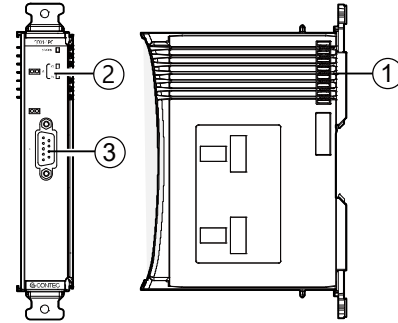


Optional Products

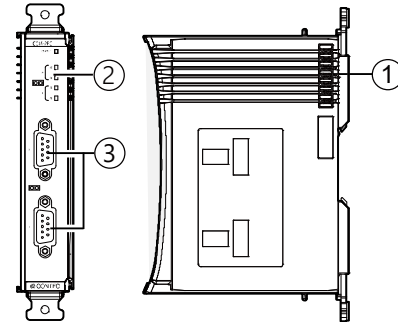
Product Name	Model type	Description
Configurable Type Controller	CPS-MCS341-DS1-111	Configurable Type CPU module
	CPS-MCS341-DS1-131	Configurable Type CPU module + OPC UA server + MTConnect
	CPS-MCS341G5-DS1-130	Configurable Type CPU module +4G LTE WAN
	CPS-MCS341Q-DS1-131	Configurable Type CPU module +920MHz LAN
	CPS-ECS341-1-011	Ether CAT Slave Module
DIN rail mounting power supply	CPS-PWD-90AW24-01	DIN rail mounting power supply 90[w] (Input: 100 - 240VAC, output: 24VDC 3.8 A)
	CPS-PWD-30AW24-01	DIN rail mounting power supply 30[w] (Input: 100 - 240VAC, output: 24VDC 1.3 A)

Component Name

CPS-COM-1PC



CPS-COM-2PC



No.	Name	Function
1	Stack Bus	Used for power supply and communication with the configurable type module.
2	LED Indicator	This indicates status of the product
3	RS-232C	RS-232C Serial port (male).

Included Items

Product (One of the followings) ...1

[CPS-COM-1PC, CPS-COM-2PC]

Please read the following ... 1