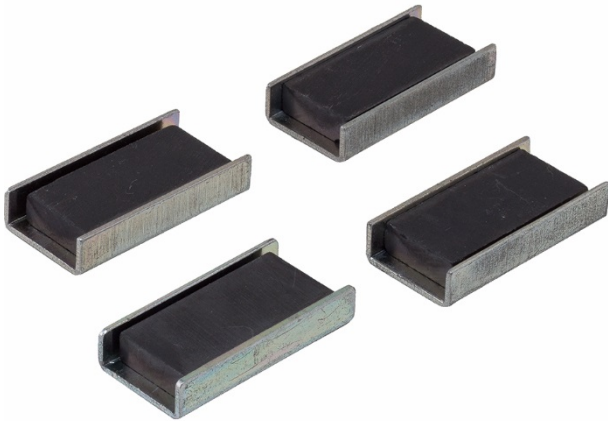


**CONPROSYS Series
Magnet (Four Piece Set)
CPS-MAG01-4**



Packing List

Magnet ...4

Target products

CONPROSYS integrated controller
N series for USB
X series for USB
N Series for Ethernet
F&eIT N Series

Installation the controller with the magnets

With the magnets, the CONPROSYS integrated controller, N and X series for USB, N Series for Ethernet, and F&eIT N Series can be set or removed easily on the surface of metal such as a steel desk or a partition.

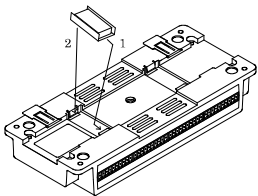
Caution

- Do not let the magnet go near objects that can be affected by magnetic fields, such as monitors and floppy disks.
- If the product is shifted while mounted on the steel surface, the surface paint may be scratched.

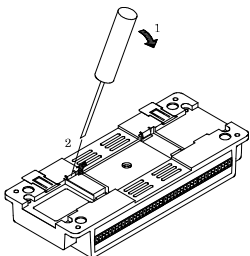
CONPROSYS Series integrated controller, N series for USB, N Series for Ethernet, F&eIT N Series

Mounting/ removing the magnet

To mount the magnet, place the magnet in its mounting hole in the direction of arrow 1 first. Then, press it down in the direction of arrow 2.



To remove the magnet, place the tip of the driver in the small gap and move the driver downward (arrow 1). Then lift the magnet out in the direction of arrow 2.



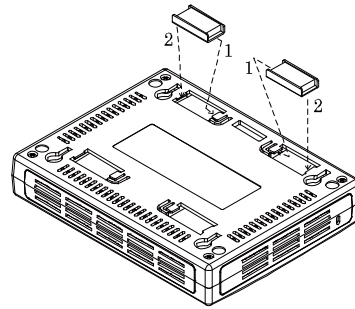
These magnets are used to set the CONPROSYS integrated controller onto the surface of metal.

- * Specifications, color and design of the products are subject to change without notice.
- * The contents in this document are subject to change without notice.
- * Visit the CONTEC website to check the latest details in the document.
- * The information in the data sheets is as of May, 2018.

X series for USB

How to mount magnets

To mount the magnet, place the magnet in its mounting hole in the direction of arrow 1 first. Then, press it down in the direction of arrow 2.



How to remove magnets

To remove the magnet, press magnet inward first. Then, lift the magnet out while pressing it inward.

