

CONPROSYS Series
M2M Gateway for PLC
Multi-Function 3G OPC UA
CPS-MG341G-ADSC1-930



- * Specifications, color and design of the products are subject to change without notice.
- * The contents in this document are subject to change without notice.
- * Visit the CONTEC website to check the latest details in the document.
- * The information in the data sheets is as of September, 2019.

Hardware Features

The product contains I/O interface such as digital I/O, analog input, counter, and serial communication.

RS-232C: 1-channel, RS-422A/485: 1-channel, Photocoupler isolation input (compatible with current sink output): 4-channel, Semiconductor relay output: 2-channel, Bus isolation analog input (current input): 2-channel. Counter input performs up-counting: equipped with two channels of up counters.

* Two of four digital-input can be used as the counter-input.

Adaptable to a temperature range between -20 and +60°C

The product is capable of operating in the temperature between -20 and + 60°C. It can be installed in the various environments.

Compact Design

Compact design, 188.0(W) × 78.0(D) × 30.5(H), features flexibility in installation.

Ethernet Hub Function within

Use the product as Ethernet Hub so that you can connect devices in the daisy-chain.

Capable of adapting a wide-range power (12- 24VDC)

The product is capable of dealing with a wide range of power in the differing environments. Power connector also has a FG terminal.

Installation easy with two pieces of terminal support and DIN rail

You can install and remove a terminal connector without a screwdriver so that it can shorten the time of the replacement. As the product can be mounted on the DIN rail, removing and replacing are easy as well.

A powerful running platform without fan

The product contains the ARM® Cortex® -A8 processor (600MHz) and the DDR3 512MB system memory.

Decrease malfunctions or damages by bus isolation and surge protection. (the RS-422A/485, digital/counter input)

Electrical isolation between the RS-422A/485 and the CPU, as well as between the digital/counter input and CPU can block up the electrical noise flow. Moreover, the surge protection elements are used for signal line and on top of that, the RS-422A/485 is protected with the communication IC that can withstand ±70 V input voltage, which reduces malfunctions or damages by surge.

The product is a M2M controller with isolated RS-422/485, isolated digital input/output, isolated input counter, inter-channel isolated analog input, RS232C, LAN interface, Ethernet Hub and 3G network communication module.

CPS-MG341G-ADSC1-930 contains OPC UA server function within. This product can communicate directly with HMI and SCADA software that support OPC UA clients from various makers.

The product is the data collector M2M Gateway for PLC that supports respective PLCs as well as various Modbus devices. For equipment with PLC control, data will be collected by "M2M Gateway for PLC". For the one without PLC control, data can be collected by "M2M controller" that supports sensor input. "M2M Gateway for PLC" can connect up to 10 Ethernet/calculating links with differing makers PLCs simultaneously.

The CONPROSYS series enables you to collect and consolidate data from a wide range of equipment.

You can perform all processes on a web browser from the development to the operation. The functions such as Web monitoring of I/O information, alarm processing by I/O information, task divergence enable you to create a Cloud System at low cost and in a short time.

Decrease malfunctions or damages by bus isolation, inter-channel isolation and surge protection. (Analog input)

As analog inputs and channel, along with analog inputs and CPU, are electrically isolated, connecting an input signal with electric potential difference is possible. In addition, the surge protection elements are used for signal lines, which reduces malfunctions or damages by surge.

Equipped with LED for an operation check

The product has LED for an operation check, which helps you visually confirm the communication status of each interface.

With no use of electrolytic capacitor and primary battery

Neither an electrolytic capacitor, which has a limited life, nor a primary battery is used. We are creating the product with a longer life.

Software Features

Promoting a multi-vendor system supporting a varied lineup of PLCs and Modbus devices

The product connects and supports every PLC and each Modbus device simultaneously.

*please visit our website regarding the details of supportive information.

Connect up to 10 links and data collection from 100 group registers

Up to 10 Ethernet/calculating links can be connected. Data collection from 30 PLCs and 100 group registers can be carried out. Up to 1000 data mapping for Modbus is possible.

Measurement and Upload

The product uploads measured data of the sensor and collected data from PLC to the Cloud server.

Web Monitoring

The product contains a Web server. Even with your PC located remotely, you can monitor and update I/O information through a Web browser. On the monitoring screen, you can freely lay out the standard GUI parts (graphic, slider, button, etc.). All operations including monitoring layout, making relations with I/O information, can be achieved via the Web browser.

Web Task Script

By combining icons such as arithmetic operations, conditional branching, data outputting, you can set up the executions or its processes like drawing them in the flowchart. All operations can be completed on the Web browser.

Message Communication Function

By working with the RS-232C 1 port, the RS-422A/RS-485 1 port or the Ethernet device (TCP/UDP), you can establish up to 10 links and transmit or receive messages. Message communication can be accomplished from Web task script.

Support a communication protocol MTConnect for machine tools
 MTConnect is a communication protocol for machine tools and standardized by MTConnect Institution. CONPROSYS has MTConnect Adapter and Agent built-in and can be operated with client software that supports MTConnect.

Specifications

Function Specifications

| Item | | Description | |
|-----------------------------|---|--|------------------------|
| CPU | | ARM Cortex-A8 600MHz | |
| Memory | | On Board 512MB DDR3 SDRAM | |
| ROM | | On-Board 64MB NOR Flash for OS | |
| LAN | Transmission standard | 10BASE-T/100BASE-TX | |
| | The number of channels | 2 *1 | |
| | Connector | RJ-45 Connector | |
| | LED | Speed (Yellow), Link/Act (Green) | |
| RS-422A/485 | Transmission scheme | Asynchronous serial transmission (Full Duplex/Half Duplex) | |
| | The number of channels | 1 | |
| | Isolation | Bus Isolation/500VDC(when surge protected parts between SG-FG are unimplemented) | |
| | Baud Rate | 300bps - 115.2kbps | |
| | Data length | 5, 6, 7, 8bit 1, 1.5, 2stopbit | |
| | Parity check | Even, Odd, Non-parity | |
| | Connector | 2-piece 3.5mm pitch 5-pin terminal (TX+, TX-, RX+, RX-, SG) | |
| | Applicable wire | AWG28 - 16 | |
| | LED | Transmission (Yellow), Reception (Yellow) | |
| | Switch | DIP Switch (Full Duplex /Half Duplex, Terminator (ON/OFF)) | |
| | Surge protection element each signal - SG | Stand off voltage : ±13V, Peak pulse power : 400W(1msec) | |
| | Surge protection element SG - FG | Gas discharge tube arrester Discharge voltage : ±300V, impulse current tolerance : 2000A(8/20µsec, 10 times) | |
| | USB | Transmission standard | USB2.0 standard follow |
| | | The number of channels | 1 |
| Connector | | TYPE-A | |
| SD card slot | Standard | SD standard follow | |
| | Connector | SD memory card slot | |
| | LED | Read/Write (Yellow) | |
| RS-232C | Baud Rate | 300bps - 115.2kbps | |
| | Isolation/Resistance | Non-isolated | |
| | Data length | 5, 6, 7, 8bit 1, 1.5, 2stopbit | |
| | Parity check | Even, Odd, Non-parity | |
| | The number of channels | 1 | |
| | Connector | 9-pin D-SUB connector (Male) | |
| | LED | Transmission (Yellow), Reception (Yellow) | |
| Digital input Counter input | Input type | Opto-coupler Isolation Input (Compatible with current sink output and current source output) (negative logic) *2 | |
| | Isolation/Resistance | Bus Isolation /500VDC, Inter Channel Isolation /1000V | |
| | External circuit power supply | 12 - 24 VDC (±10%) | |
| | Built-in power supply | 12VDC (compatible with current sink output) *3 | |
| | Input Resistance | 5.6kΩ | |
| | Input ON current | 1.6mA or more | |
| | Input OFF current | 0.16mA or less | |
| | Response time | Within 200µsec *4 | |
| | Interrupt (Digital Input) | 4 interrupt input signals are arranged into a single output of interrupt signal. An interrupt is generated at the falling edge (HIGH-to-LOW transition) or rising edge (LOW-to-HIGH transition). (setting can be done by software) | |
| | The number of channels | 4 (It is possible to allocate 2channels to counter input) | |
| | Count Type | Up count | |
| | Max count | FFFFFFH (binary data) | |

| Item | | Description |
|---|--|---|
| | Counter response speed | 1kHz (Max), Duty : 50% (Max) |
| | Interrupt (Counter input) | One interrupt caused upon channel count match |
| | Timer | None |
| | LED | DI0 - DI3 (Yellow) |
| | Surge protection element each signal to B_COM | Interactive TVS diode Stand off voltage : ±30V, Peak pulse power : 400W(1msec) |
| Digital output | Output type | Semiconductor relay output |
| | Isolation | Semiconductor relay isolation/1000V |
| | Maximum Output Voltage / Current | 26.4VAC/VDC/100mA |
| | Response time | Within 2msec |
| | ON resistance | 8Ω or less (at 25°C) |
| | OFF leakage current | 4µA or less (at 25°C) |
| | The number of channels | 2 |
| | LED | DO0 - DO1 (Yellow) |
| | Surge protection element + to - | Interactive TVS diode Stand off voltage : ±30V, Peak pulse power : 400W(1msec) |
| | Digital input / Counter input / Digital output | Connector |
| Applicable wire | | AWG28 - 16 |
| Analog input | Input type | Current Input |
| | Input range | 0 - 20mA |
| | Maximum input rating | 30mA |
| | Input impedance | 250Ω |
| | The number of channels | Current Input 2ch |
| | Channel switching rate | 3msec/ch (Max) *5 |
| | Conversion rate | The sampling interval differs by the software programmed by the user. |
| | Data buffer | None |
| | Resolution | 12bit |
| | Non-Linearity error *6 | ±10LSB |
| | Isolation/Resistance | Bus Isolation /500VDC, Inter Channel Isolation /200V |
| Connector | 2-piece 3.5mm pitch 3-pin terminal (AI+, AI-, SG) | |
| Applicable wire | AWG28 - 16 | |
| LED | AI0 - AI1 (Yellow) | |
| LED | Power (Green)/Status 1 (Green)/Status 2 (Red) | |
| Switch | Reset SW, Shut Down SW, Full Duplex/Half Duplex Switching SW | |
| RTC | RTC built-in (battery life :10 years or more at 25°C) lunar inequality ± 15sec (at 25°C) | |
| Power supply *7 | Rated input voltage | 12 - 24VDC |
| | Input voltage range | 10.8 - 30VDC |
| | Power consumption | 12V 0.8A (Max), 24V 0.4A (Max) |
| | Connector | 2-piece 3.5mm pitch 3-pin terminal (V+, V-, FG) |
| | Applicable wire | AWG24 - 16 |
| Surge protection element V+ - V-, V- - FG | Interactive TVS diode Stand off voltage : ±30V, Peak pulse power : 400W(1msec) | |
| Physical Dimensions (mm) | 188.0(W)×78.0(D)×30.5(H) (No projection included) | |
| Weight | 350g | |
| Installation method | Quick mounting on the 35mm DIN rail, Mounting on the wall using the screws *8 | |
| OS | Linux kernel 3.2 | |

- *1 The LAN ports are independent, which makes it possible to split the network segment
- *2 Data 0 corresponds to High level and Data 1 corresponds to Low level.
- *3 The default setting is for an external circuit power supply. With a software command, it can be switched to the built-in power use.
- *4 Response time of opto-coupler
- *5 Switching time of Inter Channel
- *6 The non-linearity error means an error of approximately 0.07% occurs over the maximum range at -20 °C and +60 °C ambient temperature.
- *7 Use power cable within 3meters.
- *8 Commercial screws are required (fit into φ3.5 hole).

Wireless Specification

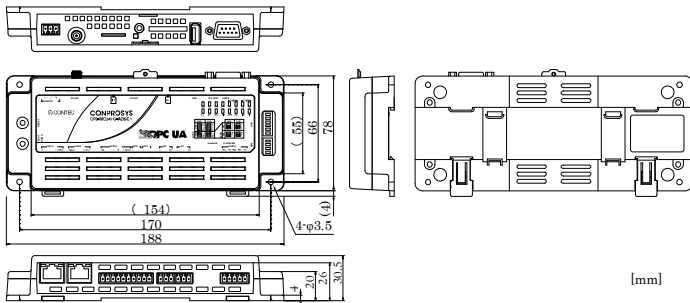
| Item | Description | |
|----------------------|---|-------------------|
| Support SIM | MVNO SIM | |
| SIM slot | Standard SIM | |
| Communication method | 3G (UMTS) | |
| Wireless frequency | Band1 (2100MHz), Band2 (1900MHz), Band5 (850MHz), Band6 (800MHz), Band8 (900MHz), Band19 (800MHz) | |
| Maximum Output Power | 23 dBm | |
| Communication speed | Upload | Maximum 384kBit/s |
| | Download | Maximum 384kBit/s |

Installation Environment Requirements

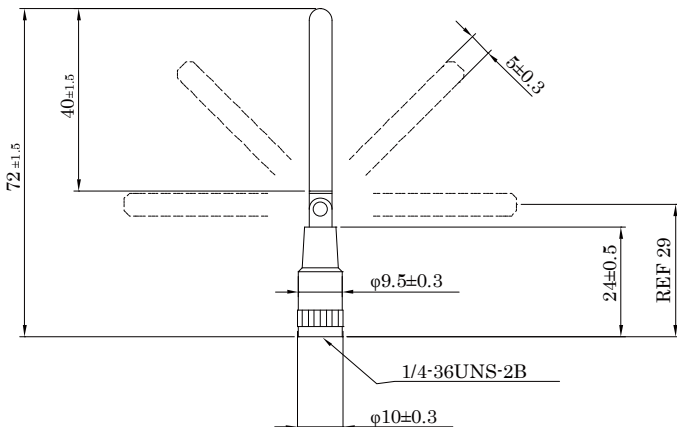
| Item | Description | |
|-----------------------------------|--|--|
| Operating ambient temperature | -20 - +60°C *9 | |
| Operating ambient humidity | 10 - 90%RH (No condensation) | |
| Non-operating ambient temperature | -20 - +60°C | |
| Non-operating ambient humidity | 10 - 90%RH (No condensation) | |
| Floating dust particles | Not to be excessive | |
| Corrosive gases | None | |
| Line-noise resistance | Line noise | AC Line/±2kV *10 Signal Line /±1kV(IEC61000-4-4 Level 3, EN61000-4-4 Level 3) |
| | Static electricity resistance | Touch /±4kV(IEC61000-4-2 Level 2, EN61000-4-2 Level 2) Air /±8kV(IEC61000-4-2 Level 3, EN61000-4-2 Level 3) |
| Vibration resistance | Sweep resistance | 10 - 57Hz *11 / semi-amplitude vibration 0.15mm, 57 - 150Hz/2.0G 40minutes each in X, Y, and Z directions (JIS C60068-2-6-compliant, IEC60068-2-6-compliant) |
| | | Shock resistance |
| Grounding | Class D grounding (previous class 3 grounding), SG-FG/ non-conduction | |
| Standard | VCCI Class A, FCC Class A, TELEC, FCC Part 15, CE Marking (RE Directive EMC Directive Class A, RoHS Directive, RE Directive), UL | |

*8 If you use the USB with bus power, operate the product at between -20 and +55°C
 *9 When you use the CPS-PWD15AW12-01 (optional product)
 *10 When you use an optional power product: 10-55Hz (See the manual of optional power product for details)

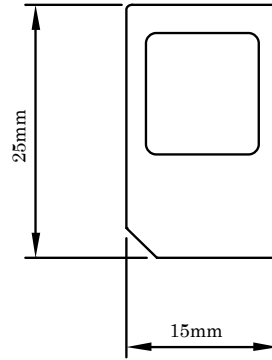
Physical Dimensions



Physical Dimensions (Antenna)



Standard SIM size



Support Software & Service

- Cloud-based remote monitoring service "CONPROSYS cloud Data Service 2"
- Monitoring in the on-premises environment "CONPROSYS data collection software"
- Driver software that streng thens the collaboration with devices. "OPC Server Software"

List of Option

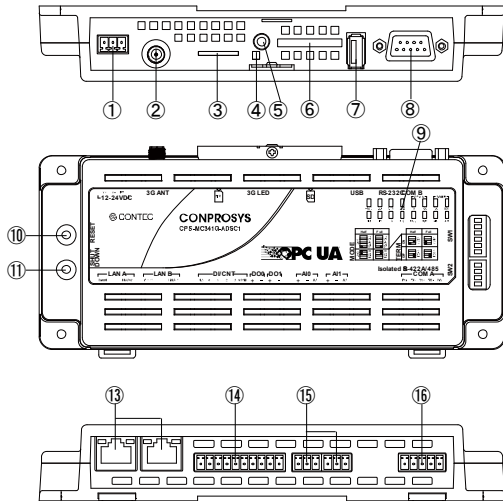
- DIN rail mounting power supply
 - CPS-PWD-15AW12-01: DIN rail mounting power supply 15[w] (Input: 100 - 240VAC, output: 12VDC 1.3 A)
- SD card
 - SD-4GB-A: SD card 4GB
- 3G Antenna
 - CPS-ANT-R3-01: Antenna (Cable length: 3 meters)
- Magnet
 - CPS-MAG01-4: Magnets for installation (Four Piece Set)

* Information about the option products, see the Contec's website.

Packing List

- Product [CPS-MG341G-ADSC1-930]...1
- Product Guide...1
- Warranty Certificate...1
- Cautions for setting the SIM card...1
- Serial Number Label...1
- 3-pin Connector (Power/Analog) ...3
- 5-pin Connector (RS-422A/485)...1
- 10-pin Connector (Digital) ...1
- Antenna...1

Component Name



| No. | Name | Function |
|-----|--|--|
| 1 | Power Connector | This is a connector for power. Use the 3-pin connector included in the package. |
| 2 | Antenna Connector | This is a connector to connect an antenna. Use the supplied connector or optional one. |
| 3 | SIM Card Slot | This is a slot for inserting SIM card. |
| 4 | 3G LED | This displays the intensity of the signal reception. |
| 5 | Debug Connector | Do not use this. |
| 6 | SD Card Slot | This is a slot for inserting SD card to store data. |
| 7 | USB Port | This is a TYPE-A USB port. |
| 8 | RS-232C Serial Port | This is a RS-232C serial port. (male) |
| 9 | LED Indicator | This indicates status of the product. |
| 10 | Reset Switch | This resets the product. |
| 11 | Shut-Down Switch | This shuts down the product. |
| 12 | DIP Switch | This is used for system setup and RS-422A/485 setup. |
| 13 | LAN Port | This is a connector for LAN. |
| 14 | Digital Input/Counter Input/Digital Output Connector | This is a connector for digital input/counter input/digital output. (Use the 10-pin connector included in the package) |
| 15 | Analog Input Connector | This is a connector for analog input. (Use the 3-pin connector included in the package) |
| 16 | RS-422A/485 Connector | This is a connector for RS-422A/485 communication. (Use the 5-pin connector included in the package) |