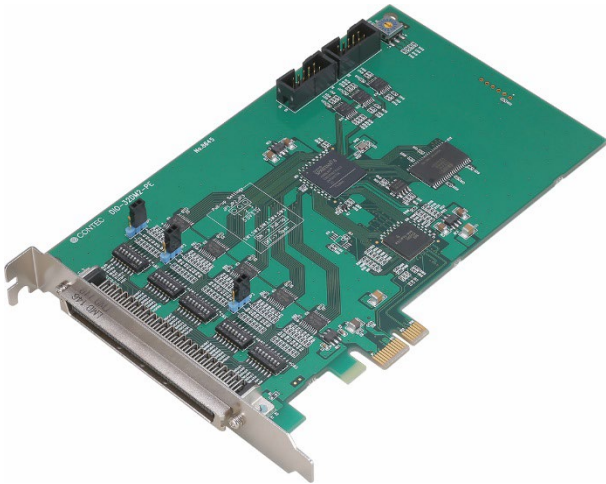


High Speed Bi-directional Digital I/O Board
for PCI Express
DIO-32DM2-PE



* Specifications, color and design of the products are subject to change without notice.

Features

32channels of unisolated LVTTTL level I/O (32 input channels / each 16channels for I/O / 32 output channels are selected.)

This product has the 32channels (operating voltage 3.3VDC, positive logic) of unisolated LVTTTL level I/O whose response speed is 50nsec. They can be used for 32bit input, 16bit input plus 16bit output, or for 32bit output. Other than I/O bit, this product has the control signal (clock, start, stop and handshake signal (REQ, ACK) that can control starting and stopping the sampling (input) / generating (output)).

Sampling and generating with transfer rate at 20MHz maximum
Bus master transfer makes it possible to sample (input) or generate (output) large data with transfer rate at 20MHz maximum. As the sampling and generating features have their own bus mastering blocks each made up of two independent channels, the board can generate 16 signals while sampling 16 signals.

A synchronization control connector is provided for synchronized control of multiple boards.
A synchronization control connector is provided for synchronized control of up to 16 boards. It is also easy to synchronize operation with other CONTEC boards that have a synchronization control connector.

You can use Max. 4 input signals as interrupt request signals at the time of using the general-purpose I/O.
You can use Max. 4 input signals as interrupt request signals and also disable or enable the interrupt in bit units at the time of using the general-purpose I/O.

Windows/Linux drivers are available
By using the digital I/O driver, each Windows/Linux application can be created. In addition, a diagnostic program by which the operations of hardware can be checked is provided.

You can use pull-up and the voltage selection.
At input points and control signals, you can use pull-up. In addition, the pull-up voltage can be selected from the 3.3V and 5V. This feature allows you to easily connect and equipment with an output point of the sink type.

Functions and connectors are compatible with PCI compatible board PIO-32DM(PCI) and PCI Express compatible board DIO-32DM-PE.
The functions same with PCI compatible board PIO-32DM(PCI) and PCI Express compatible board DIO-32DM-PE are provided. In addition, as there is compatibility in terms of connector shape and pin assignments, it is easy to migrate from the existing system.

This product is a PCI Express bus-compliant interface board that supports transfer by bus mastering and performs input/output between the external device and digital signal. This product features unisolated LVTTTL level (Operating voltage : 3.3V) I/O 32channels and you can select input / output in 16 units.

Bus master transfer makes it possible to sample quickly large data with transfer rate at 20MHz maximum. It can be used as a pattern generator that outputs arbitrary digital patterns at high speed. It can also be used as a general-purpose I/O board when bus mastering is not used.

Windows/Linux drivers are available.

Using the dedicated library VI-DAQ makes it possible to create each application for LabVIEW.

- * The contents in this document are subject to change without notice.
- * Visit the CONTEC website to check the latest details in the document.
- * The information in the data sheets is as of July, 2022.

LabVIEW is supported by a plug-in of dedicated library.
Using the dedicated library makes it possible to make a LabVIEW application.

Specification

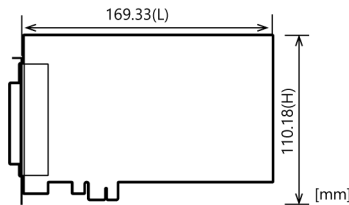
Specification <1/2>

Item	Specifications
Digital section	
Number of I/O Channels	32channels (select input 32channels / I/O each 16channels / output 32 channels by software)
I/O circuit	
Operating voltage	3.3VDC
Built-in power	None
Input section	
Input format	Unisolated LVTTTL level (Equivalent to 74LV245A) (positive logic) * 5V TTL level input enabled
Pull-up	None/3.3V/5V
Interrupt	<-When general-purpose I/O is used> 4 interrupt input signals are arranged into a single output of interrupt signal INTA. An interrupt is generated at the rising edge (LOW-to-HIGH transition).
Pull-up resistor	10k Ω
Output section	
Output format	Unisolated LVTTTL level (Equivalent to 74LV245A) (positive logic)
Rating (Max.)	3.3VDC 8mA
Response time	50nsec
Data access method	General-purpose digital I/O or I/O with bus master transfer
Echo-back function	Available (at general-purpose output)
Pattern input	
Sampling start trigger	Software start/External start/Pattern match/SC connector
Sampling stop trigger	Software stop/External stop/End of transfer/Transfer error/Specified number of items/SC connector
Sampling clock	Sampling timer/External clock input/handshake/SC connector
Sampling timer	50ns - 107s, 25ns unit
Pattern output	
Generating start trigger	Software start/External start/SC connector
Generating stop trigger	Software stop/External stop/End of transfer/Transfer error/Specified number of items/SC connector
Generating clock	Output timer/External clock input/Handshake/SC connector
Generating timer	50ns - 107s, 25ns unit
Control signal	
I/O signal level	Unisolated LVTTTL level * 5V TTL level input enabled, * 3.3V / 5V pull-up can be set
REQ signal (handshake)	Negative logic tL=50ns (Min.)
ACK signal (handshake)	Negative logic tL=50ns (Min.)
External start signal	Selection of rising/falling edge with the software
External stop signal	Selection of rising/falling edge with the software
External clock input	f=10 MHz (Max.)

Specification <2/2>

Item	Specifications
Bus master section	
DMA channels	2channels (one each for input and output)
Transfer bus width	32/16bit width
Transfer data length	8 PCI data length (Max)
Transfer rate	80 MB/sec.
FIFO	1K data/ch.
Scatter/Gather function	64 MB/ch.
Synchronization section	
Control output signal	Selection of output signal with the software when specifying a sync master board.
Control input signal	Selection of sync factor with the software when specifying sync slave boards.
Max. board count for connection	16 boards including the master board
Common section	
Allowable distance of signal extension	1.5m (dependent on wiring environment)
I/O addresses	Occupies 2 locations, any 32-ports and 64-ports boundary
Current consumption	3.3V 400mA (Max), 12V 30mA (Max)
Operating conditions	0 - 50°C, 10 - 90%RH (No condensation)
Bus specification	PCI Express Base Specification Rev.1.0a x1
Physical dimensions (mm)	169.33(L) x 110.18(H)
Connector	PCR-E96LMD+equivalence to it [mfd. by HONDA TSUSHIN KOGYO CO., LTD.]
Weight	130g
Standard	VCCI Class A, CE Marking (EMC Directive Class A, RoHS Directive), UKCA

Card Dimensions



The standard outside dimension (L) is the distance from the end of the card to the outer surface of the slot cover.

Support Software

You should use CONTEC support software according to your purpose and development environment.

The name of the documents	Contents	How to get
Digital I/O Driver software API-DIO(WDM)	Driver software of digital input and output for Windows.	Download (ZIP)
Digital I/O Driver software API-DIO(LNX)	Driver software of digital input and output for Linux.	Download (tgz)
LabVIEW-support data acquisition library DAQfast for LabVIEW	This is a data collection library to use in the LabVIEW by National Instruments. With Polymorphic VI, our design enables a LabVIEW user to operate seamlessly. Our aim is that the customers to perform easily, promptly what they wish to do.	Download (ZIP)

* Download the software from the CONTEC website.

Option

Item	Model	Description
Cable	PCB96PS-0.5P (0.5m)	Shielded cable with double-ended connector for 96-pin half-pitch connector
	PCB96PS-1.5P (1.5m)	
	PCB96P-1.5 (1.5m)	Flat cable with double-ended connector for 96-pin half-pitch connector
	PCA96PS-0.5P (0.5m) PCA96PS-1.5P (1.5m)	Shielded cable with single-ended connector for 96-pin half-pitch connector
Accessories	PCB96P-1.5 (1.5m)	Flat cable with single-ended connector for 96-pin half-pitch connector
	EPD-96A *1*2	Screw Terminal (M3 x 96P)
	EPD-96 *1	Screw Terminal (M3.5 x 96P)
	DTP-64A *1	Terminal Unit for Cables (M3 x 96P)

*1 PCB96P or PCB96PS optional cable is required separately.
 *2 "Spring-up" type terminal is used to prevent terminal screws from falling off.
 * Check the CONTEC's Web site for more information on these options.

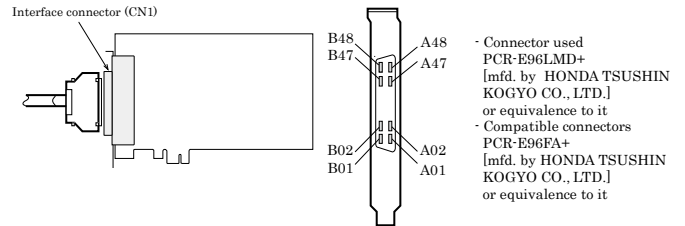
Packing List

- Product [DIO-32DM2-PE]...1
- SC Cable (10cm) ...1
- Setup Guide ... 1
- Warranty Certificate ...1
- Serial Number Label...1

How to connect the connectors

Connector shape

To connect an external device to this product, plug the cable from the device into the interface connector (CN1) shown below.



* Please refer to chapter 1 for more information on the supported cable and accessories.

Connector Pin Assignment

GND	B48	A48	GND
GND	B47	A47	GND
GND	B46	A46	GND
EXTCLK1	B45	A45	EXTCLK0
GND	B44	A44	GND
EXTSTART1	B43	A43	EXTSTART0
GND	B42	A42	GND
EXTSTOP1	B41	A41	EXTSTOP0
GND	B40	A40	GND
EXTREQ1	B39	A39	EXTREQ0
GND	B38	A38	GND
EXTACK1	B37	A37	EXTACK0
GND	B36	A36	GND
GND	B35	A35	GND
GND	B34	A34	GND
DIOD07	B33	A33	DIOB07
GND	B32	A32	GND
DIOD06	B31	A31	DIOB06
GND	B30	A30	GND
DIOD05	B29	A29	DIOB05
GND	B28	A28	GND
DIOD04	B27	A27	DIOB04
GND	B26	A26	GND
DIOD03	B25	A25	DIOB03
GND	B24	A24	GND
DIOD02	B23	A23	DIOB02
GND	B22	A22	GND
DIOD01	B21	A21	DIOB01
GND	B20	A20	GND
DIOD00	B19	A19	DIOB00
GND	B18	A18	GND
DIOA07	B17	A17	DIOA07
GND	B16	A16	GND
DIOA06	B15	A15	DIOA06
GND	B14	A14	GND
DIOA05	B13	A13	DIOA05
GND	B12	A12	GND
DIOA04	B11	A11	DIOA04
GND	B10	A10	GND
DIOA03	B09	A09	DIOA03 *
GND	B08	A08	GND
DIOA02	B07	A07	DIOA02 *
GND	B06	A06	GND
DIOA01	B05	A05	DIOA01 *
GND	B04	A04	GND
DIOA00	B03	A03	DIOA00 *
N.C.	B02	A02	N.C.
N.C.	B01	A01	N.C.

[] shows the pin No. of HONDA TSUSHIN KOGYO CO., LTD. specification.
 * Can be used as an interrupt signal when used as general-purpose I/O.

DIOA00 - DIOA07	I/O signal DIOA00 - DIOA07 DIOA00 - DIOA03 can be used as interrupt signal DIOIn00 - DIOIn03 at the time of general-purpose I/O.
DIOA00 - DIOA07	I/O signal DIOA00 - DIOA07
DIOB00 - DIOB07	I/O signal DIOB00 - DIOB07
DIOA00 - DIOA07	I/O signal DIOA00 - DIOA07
DIOD00 - DIOD07	I/O signal DIOD00 - DIOD07
EXTCLK0 - EXTCLK1	External clock input
EXTSTART0 - EXTSTART1	External start signal
EXTSTOP0 - EXTSTOP1	External stop signal

EXTREQ0 - EXTREQ1	REQ signal
EXTACK0 - EXTACK1	ACK signal
GND	This is connected to GND of slot.
N.C.	This pin is left unconnected.

Connection method to the external device -Data I/O-

Connecting the data I/O signal(DIOA0* - DIOD0*)

These lines input from and output to external devices and can be configured in 16bit with the software.

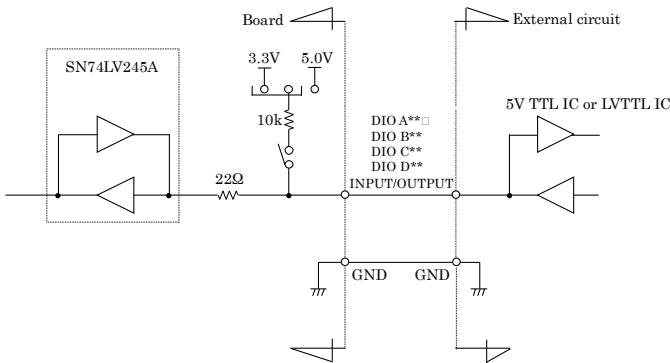
Input and output and setting procedures are the same whether these lines are used for general-purpose digital I/O or bus master transferring and they can be configured in three different settings as shown below.

I/O signal

Signal name	Setup1	Setup2	Setup3
DIOA00 - DIOA07	Input	Input	Output
DIOB00 - DIOB07	Input	Input	Output
DIOC00 - DIOC07	Input	Output	Output
DIOD00 - DIOD07	Input	Output	Output

When settings 1 and 2 are used for general-purpose digital I/O, DIOA00 through DIOA03 can be used as interrupts (rising edge).

Detailed Data I/O Signal Circuit



Connection method to the external device -Control I/O-

Connection to the control signal (EXT**)

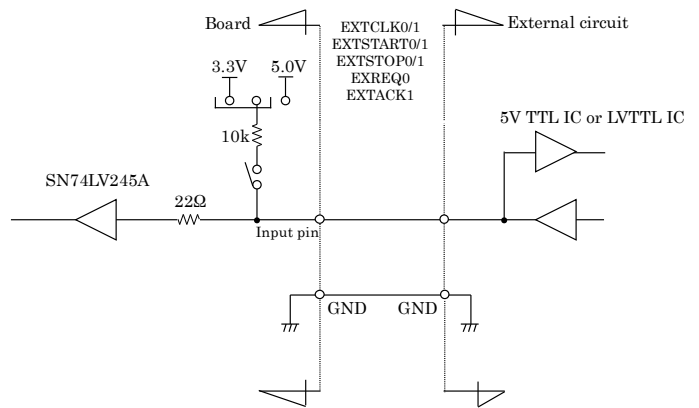
In order to control bus mastering from outside, five signals are provided each for pattern I/O. Before using the signals to be input as control signals please verify their pulse widths.

"0" at the end of a signal name indicates a pattern input signal and "1" a pattern output signal.

Signal name	Direction	Usage	Signal name	Direction	Usage
EXTCLK0	In	Pattern input clock	EXTCLK1	In	Pattern output clock
EXTSTART0	In	Pattern input start signal	EXTSTART1	In	Pattern output start signal
EXTSTPO0	In	Pattern input stop signal	EXTSTOP1	In	Pattern output stop signal
EXTREQ0	In	Pattern input REQ signal	EXTREQ1	Out	Pattern output REQ signal
EXTACK0	Out	Pattern input ACK signal	EXTACK1	In	Pattern output ACK signal

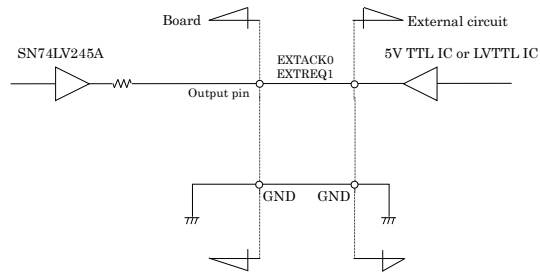
Detailed Control Input Signal Circuit

Control signals to be input include clock, start, stop, and handshake input signals.



Detailed Control Output Signal Circuit

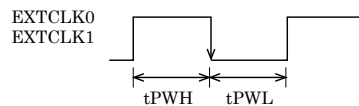
Control signals to be output include handshake output signals.



What is the Control Signal ?

External clock signal (EXTCLK0/EXTCLK1)

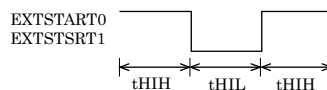
These signals input external pacer clocks. The maximum frequency is 10MHz. When the external clock input is set as the clock source, pattern input or output occurs at the falling edge of this signal.



tPWH : Clock pulse high width 50ns (Min)
tPWL : Clock pulse low width 50ns (Min)

External start signal (EXTSTART0/EXTSTART1)

These input signals start bus mastering with an external signal. The signal level is LVTTTL and you can select and enable the rising or falling edge with the software. In order to detect the signal edge, a high- and low-level hold time of 50ns is needed at minimum.



tHIH : High level hold time 50ns (Min)
tHIL : Low level hold time 50ns (Min)

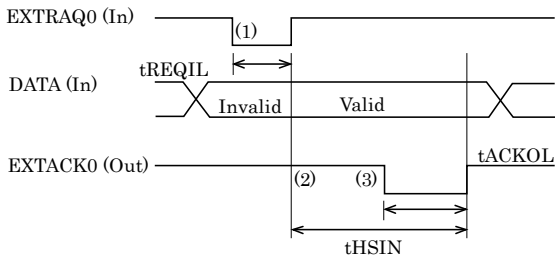
External stop signal (EXTSTOP0/EXTSTOP1)

These input signals stop bus mastering with an external signal. The signal is LVTTTL level and you can select and enable the rising or falling edge with the software. In order to detect the signal edge, a high- and low-level hold time of 50ns is needed at minimum.

Handshake Signal (EXTREQ0/EXTACK0/ EXTREQ1/EXTACK1)

These signals handshake with external devices. The signal is LVTTTL level and controlled with negative logic.

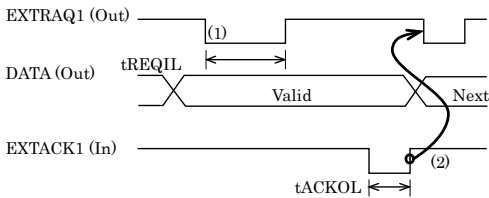
Input



tREQIL : EXTREQ0 low width 50ns (Min)
 tACKOL : EXTACK0 low width 100ns
 tHSIN : Handshaking time 100ns (Min)

- (1) After setting the handshaking operation, this product samples the EXTREQ0 signal and starts pattern input when it recognizes a low pulse of more than 50ns. Pattern data prior to that time is disabled.
- (2) The board generates a cycle to write data input from an external device to the PC memory by bus mastering.
- (3) At the end of writing data, the board outputs acknowledge signal EXTRACK0 to notify the external device.

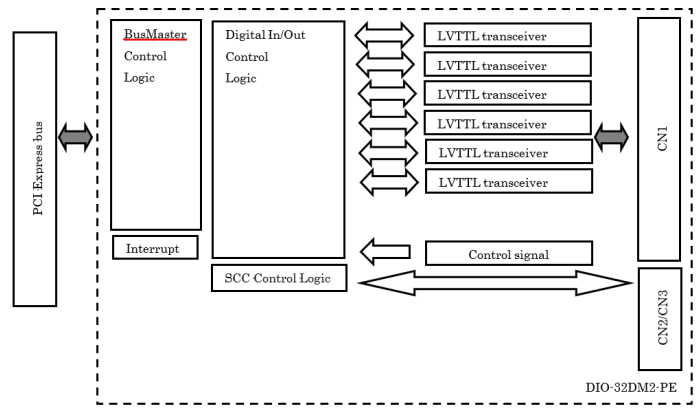
Output



tREQOL : EXTREQ1 low width 100ns
 tACKOL : EXTACK1 low width 50ns (Min)

- (1) After setting the handshaking operation, this product outputs the EXTREQ1 signal.
- (2) The board begins sampling acknowledge signals from external devices. The board recognizes the end with a low pulse of more than 100ns and, at the leading edge, starts preparing to output the next data.

How to connect the connectors



Differences between DIO-32DM2-PE and PIO-32DM(PCI)

Differences between DIO-32DM2-PE and PIO-32DM(PCI)

	DIO-32DM2-PE	PIO-32DM(PCI)
Input format	Unisolated LVTTTL level (Equivalent to 74LV245A) (positive logic) * 5V TTL level input enabled	Unisolated TTL level (Equivalent to 74ALS245A) (positive logic)
Pull-up	None/3.3V/5V	5V
Output format	Unisolated LVTTTL level (Equivalent to 74LV245A) (positive logic)	Unisolated TTL level (Equivalent to 74ALS245A) (positive logic)
Control signal	Unisolated LVTTTL level (Equivalent to 74LV245A) Unisolated LVTTTL level (Equivalent to 74LV125A) * 5V TTL-level input enabled * 3.3V / 5V pull-up can be set	Unisolated TTL level (Equivalent to 74ALS245A) Unisolated TTL level (Equivalent to 74LS125A)
Bus specification	PCI Express Base Specification Rev.1.0a x1	PCI(32bit, 33MHz, Universal key shapes supported)
Operating voltage	3.3V 400mA (Max), 12V 30mA (Max)	5V 700mA (Max)

Differences between DIO-32DM2-PE and DIO-32DM-PE

	DIO-32DM2-PE	DIO-32DM-PE
Input format	Unisolated LVTTTL level (Equivalent to 74LV245A) (positive logic) * 5V TTL level input enabled	Unisolated LVTTTL level (Equivalent to 74LV245A) (positive logic) * 5V TTL level input enabled
Pull-up	None/3.3V/5V	None
Output format	Unisolated LVTTTL level (Equivalent to 74LV245A) (positive logic)	Unisolated LVTTTL level (Equivalent to 74LV245A) (positive logic)
Control signal	Unisolated LVTTTL level (Equivalent to 74LV245A) Unisolated LVTTTL level (Equivalent to 74LV125A) * 5V TTL-level input enabled * 3.3V / 5V pull-up can be set	Unisolated LVTTTL level (Equivalent to 74LV245A) Unisolated LVTTTL level (Equivalent to 74LV125A) * 5V TTL-level input enabled
Bus specification	PCI Express Base Specification Rev.1.0a x1	PCI Express Base Specification Rev.1.0a x1
Operating voltage	3.3V 400mA (Max), 12V 30mA (Max)	3.3V 400mA (Max)