

PCI Express-compliant
Bi-Directional Digital I/O (Low Profile)
DIO-48D-LPE



* Specifications, color and design of the products are subject to change without notice.

Features

48-point two-way digital I/O i8225 Mode 0-compliant.

200nsec high-speed response with non-isolated LVTTTL level I/O.

All 48 input points can be used as interrupts, allow/forbid interrupts and select interruption trigger edge in bit unit.

Digital filtering function to prevent input error caused by noise and/or chattering.

Input/output switching can be set via application software.

It supports to a Low Profile PCI Express slot and a standard PCI Express slot (bracket is included).

Equipped with function equivalent to those of PCI bus-compliant board PIO-48D(PCI), PIO-48D(LPCI)H and CardBus-compliant PIO-48D(CB)H.

Connector pin assignment when using cable DIO-68M/96F is compatible with that of PIO-48D(PCI) when using PCB96P-** and PCB96PS-**P series(optional cables).

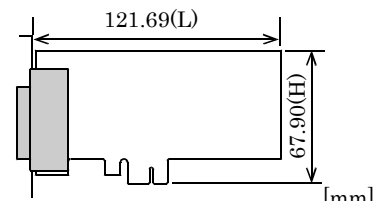
DIO-48D-LPE is PCI Express-compliant interface board enables LVTTTL level bi-directional digital I/O. Users can use up to 48 channels including both input and output (eight channels, six groups). This product is compatible with Low Profile size slot and Standard size slot is available with the included bracket. With the included driver library "API-PAC(W32)", users can configure the application software for Windows using the programming languages that support Win32API functions.

Specifications

Item	Specification
I/O	
I/O format	Unisolated LVTTTL-level I/O (Positive logic) *1
Number of I/O channels	48 channels (all available for interrupts)
Interrupt	48 interrupt input signals are arranged into a single output of interrupt signal INT. An interrupt is generated at the falling edge (HIGH-to-LOW transition) or rising edge (LOW-to-HIGH transition).
Response time	Within 200nsec
Rated output current	I _{OL} =8mA (Max.) I _{OH} =-8mA (Max.)
Common	
Built-in power	None
Allowable distance of signal extension	Approx. 1.5m (depending on wiring environment)
Interruption level	1 level use
Max. board count for connection	16 boards including the master board
I/O address	Any 32-byte boundary (Common to I/O part)
Power consumption (Max)	3.3VDC 300mA
Operating condition	0 - 50°C, 10 - 90%RH (No condensation)
Bus specification	PCI Express Base Specification Rev. 1.0a x 1
Physical Dimensions (mm)	121.69 (L) x 67.90 (H)
Connector used	68 pin 0.8mm pitch connector HDRA-E68LFDT+ [HONDA TSUSHIN KOGYO CO., LTD.] or equivalent
Weight	60g
Standard	VCCI Class A, CE Marking (EMC Directive Class A, RoHS Directive), UKCA

*1: Data [1] = High level, Data [0] = Low level .

Physical Dimension



The standard outside dimension (L) is the distance from the end of the board to the outer surface of the slot cover.

Supported Software

Driver Software Package API-PAC(W32) (Included)

API-PAC(W32) is the library software that provides the commands for CONTEC hardware products in the form of Windows standard Win32 API functions (DLL). It makes it easy to create high-speed application software taking advantage of the CONTEC hardware using various programming languages that support Win32 API functions, such as Visual Basic and Visual C++.

It can also be used by the installed diagnosis program to check hardware operations. CONTEC provides download services to supply the updated drivers and differential files. For details, read Help on the included CD-ROM or visit the CONTEC Web site.

Linux version of analog I/O driver API-AIO (LNX) (Supplied: Stored on the API-PAC(W32) CD-ROM)

This driver is used to control CONTEC analog I/O boards (cards) from within Linux. Users can control CONTEC I/O boards easily using the shared library called from the user application, the device driver (module) for kernel version, and the board (card) configuration program(config). CONTEC provides download services to supply the updated drivers and differential files. For details, read Help on the bundled CD-ROM or visit the CONTEC's Web site.

(For details on supported distributions, refer to Help available after installation.)

Adaptation language: gcc, etc..

■ Data acquisition VI library for LabVIEW VI-DAQ -Available at the CONTEC web site-

This is a VI library to use in National Instruments LabVIEW. VI-DAQ is created with a function form similar to that of LabVIEW's Data Acquisition VI, allowing you to use various devices without complicated settings. See <http://www.contec.com/vidaq/> for details and download of VI-DAQ.

Optional Cable & Connector

Shielded Cable for CardBus Digital I/O Card:
DIO-68M/96F (0.5m)

Shield Cable with One 68-Pin Connector:
PCA68PS-0.5P (0.5m)
PCA68PS-1.5P (1.5m)

Accessories

Terminal Unit for Relay Terminal Banks: EPD-96 *1
Screw Terminal: DTP-64(PC) *1

*1 DIO-68M/96F optional cable is required separately.

Packing List

Board [DIO-48D-LPE] ...1

First step guide ...1

CD-ROM *1 [API-PAC(W32)] ...1

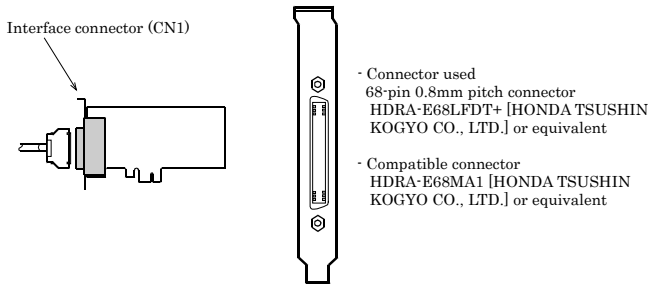
Standard-sized bracket ...1

*1 The CD-ROM contains the driver software and User's Guide.

Connector Wiring

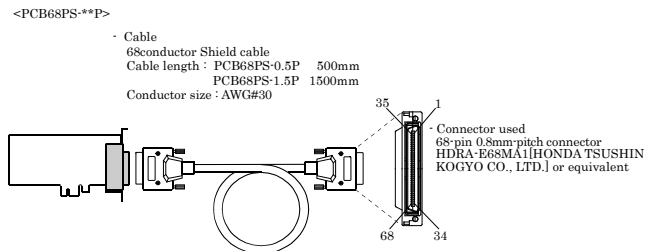
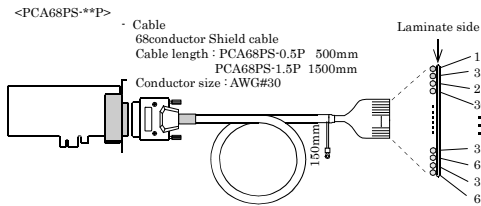
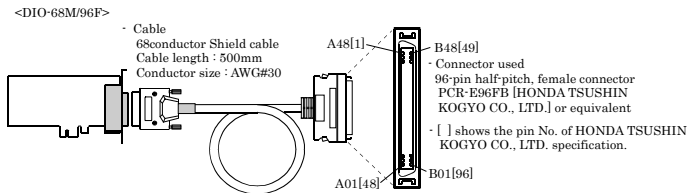
◆ Connector shape and optional cable connection

The on-board interface connector (CN1) is used when connecting this product and the external devices.



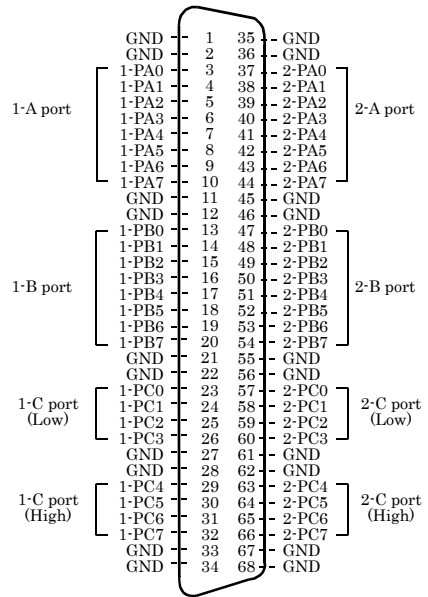
◆ Interface Connector (CN1) Shape

This shows the connection example of this product and optional cables (DIO-68M/96F or PCA68PS-**P, PCB68PS-**P)

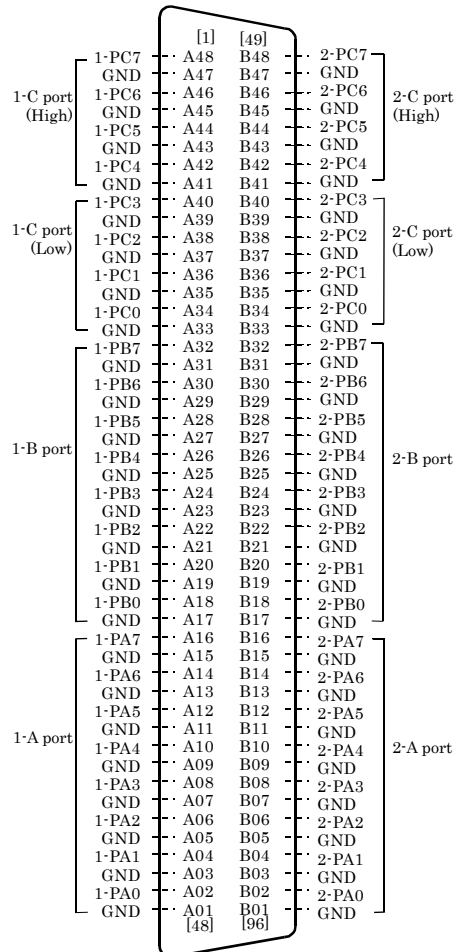


◆ Connector Pin Assignment

■ Pin Assignments of Interface Connector (CN1)



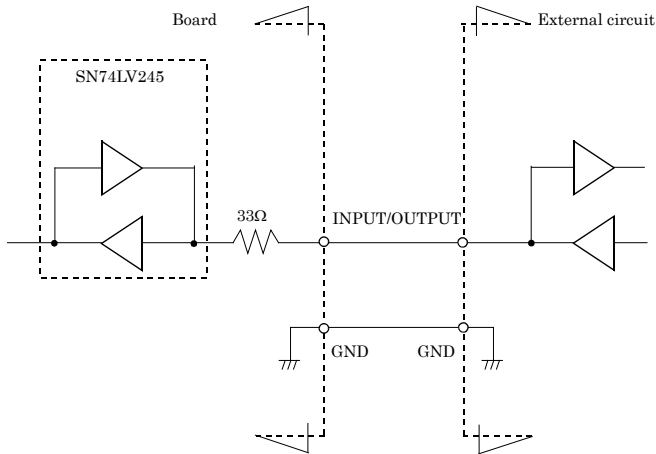
■ Signal assignment with the DIO-68M/96F used (96-pin connector side)



How to Connect Input/Output Signals

The I/O circuits of interface blocks of this board are illustrated in the image below. Signals are LVTTTL levels and positive logic. None of the signals is pulled up.

◆ Input/Output circuit

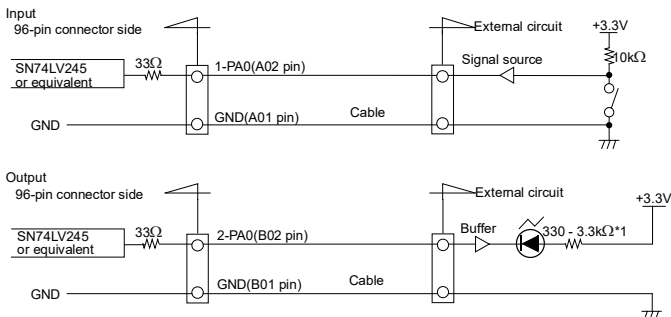


⚠ CAUTION

Be careful of not to short the outputs to digital ground as this may cause a fault.

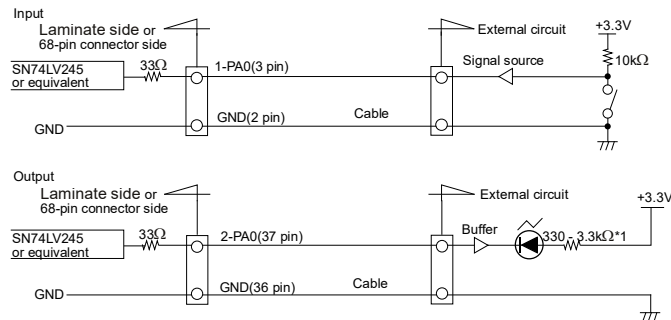
If connecting pull-up resistors to the outputs, use a resistor of approximately 10kΩ and pull-up to the 5V power supply, or use a resistor of approximately 4.7kΩ and pull-up to the 3.3V power supply.

◆ Example Connection 1 (Using DIO-68M/96F)



* Resistor value should be adjusted according to the specification of the LED to use and the desired intensity level.

◆ Example Connection 2 (Using PCA68PS-**P, PCB68PS-**P)



* Resistor value should be adjusted according to the specification of the LED to use and the desired intensity level.

Block Diagram

