

## USB I/O Unit X Series Digital I/O Unit with Opto-Isolation for USB DIO-6464LX-USB



\* Specifications, color and design of the products are subject to change without notice.

### Features

**64 channels of Optocoupler isolated inputs (compatible with current sink output) and 64 channels of Optocoupler isolated open-collector outputs (current sink type)**

This product has the 64 channels of Optocoupler isolated inputs (compatible with current sink output) and the 64 channels of Optocoupler isolated open-collector outputs (current sink type) whose response speed is 200μsec. Supporting driver voltages of 12 - 24 VDC for I/O. (12 - 24VDC external circuit power supply is required separately.)

#### Compatible to USB2.0/USB1.1

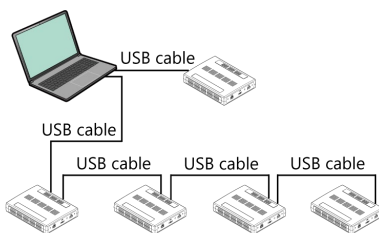
Compatible to USB2.0/USB1.1 and capable to achieve high speed transfer at High Speed (480 Mbps).

#### USB HUB function

This product has the USB HUB function. Max. 4 products can be used in 1 USB port of PC. \*1

When you use 4 or more products, you can do by connecting products to the another USB port of PC side.

Also, you can connect the CONTEC's USB device other than products to the USB port of products. \*2\*3



#### Common terminal provided per 16 channels

Common terminal provided per 16 channels, capable of supporting a different external power supply.

#### Opto-coupler bus isolation

As the USB (PC) is isolated from the input and output interfaces by opto-couplers, this product has excellent noise performance.

#### 16 input signals can be used as interrupt request signals

You can use 16 of its input signals as interrupt request signals and also disable or enable the interrupt in bit units and select the edge of the input signals, at which to generate an interrupt.

#### Equipped with digital filter to prevent wrong recognition of input signals from carrying noise or a chattering

This product has a digital filter to prevent wrong recognition of input signals from carrying noise or a chattering. All input terminals can be added a digital filter, and the setting can be performed by software.

This product is an USB2.0-compliant digital I/O unit used to provide a digital signal I/O function on a PC. This product can input and output digital signals at 12 - 24VDC. This product features 64 channels of Optocoupler isolated inputs (compatible with current sink output) and 64 channels of Optocoupler isolated open-collector outputs (current sink type). You can use 16 input signals as interrupt inputs. Equipped with the digital filter function to prevent wrong recognition of input signals and output transistor protection circuit (surge voltage protection and over current protection).

As there is compatible with PCI bus-compatible board PIO-64/64L(PCI)H and PCI Express bus-compatible board DIO-6464L-PE in terms of connector shape and pin assignments, it is easy to migrate from the existing system.

Windows/Linux driver is supported with this product.

- \* The contents in this document are subject to change without notice.
- \* Visit the CONTEC website to check the latest details in the document.
- \* The information in the data sheets is as of September, 2024.

#### Zener diode for surge voltage protection and the circuit for overcurrent protection

Zener diodes are connected to the output circuits to protect against surge voltages. In addition, the output circuit, it attaches the overcurrent protection circuit at the output 8-channel unit. The output rating is max. 35VDC, 100mA per channel.

#### Connectors are compatible with PCI/PCI Express bus-compatible board

As there is compatible with PIO-64/64L(PCI)H and DIO-6464L-PE in terms of connector shape and pin assignments, it is easy to migrate from the existing system.

#### Windows/Linux support device driver

Using the device driver API-TOOL makes it possible to create applications of Windows/Linux. In addition, a diagnostic program by which the operations of hardware can be checked is provided.

- \*1 This product cannot be stacked up for installation.
- \*2 Do not connect the device other than that of CONTEC's USB to the USB port included on the product. Otherwise, this may cause a failure or malfunction.
- \*3 When connecting multiple units with USB HUB function and set up them, do one at a time and complete setup for the previous unit before starting to do the next unit.

### Included Items

Product [DIO-6464LX-USB] ...1  
 AC adapter ... 1  
 AC Cable ... 1  
 USB Cable (1.8m) ... 1  
 USB Cable Attachment on the main unit's side ... 1  
 Clamps for prevention of cable on the main unit's side ... 1  
 Ferrite Core ... 1  
 Power Connector (MC1,5/3-ST-3,5) ... 1  
 Please read the following...1

## Specifications

### Function specification

Item		Specifications
Input	Type	Opto-coupler isolated input (Compatible with current sink output) (Negative logic *1)
	Number of Channels	64ch (16 channels available for interrupts) (1 common in 16 channels)
	Input resistance	4.7kΩ
	Input ON current	2.0mA or more
	Input OFF current	0.16mA or less
	Interrupt	16 interrupt input signals are arranged into a single output of interrupt request signal INTA. An interrupt is generated at the rising edge (HIGH-to-LOW transition) or falling edge (LOW-to-HIGH transition) (set by software).
	Response time	200μsec within *2
Output	Type	Opto-coupler isolated open collector output (current sink type) (Negative logic *1)
	Number of Channels	64ch (1 common in 16 channels unit)
	Output rated voltage	35VDC (Max)
	Output rated current	100mA (per point) (Max)
	Residual voltage with output on	0.5V or less (Output current≤50mA), 1.0V or less (Output current≤100mA)
	Surge protector	Zener diode RD47FM(Renesas) or equivalent
	Response time	200μsec within *2
USB	Bus specification	USB Specification 2.0/1.1 standard
	USB transfer rate	12Mbps (Full-speed), 480Mbps (High-speed) *3
	Power supply	Self-power
Common	Allowable distance of signal extension	Approx. 50m (depending on wiring environment)
	Number of terminals used at the same time	127 terminals (Max) *4
	Dielectric strength	250Vrms
	External circuit power supply *6	12 - 24VDC (±10%)
	Current consumption	5VDC 550mA (Max)
	Physical dimensions (mm)	180(W) x 140(D) x 34(H) (exclusive of protrusions)
	Weight	300g (Not including the USB cable, attachment)
	Attached cable	USB cable 1.8m

\*1 Data "0" and "1" correspond to the High and Low levels, respectively.

\*2 The Optocoupler's response time comes.

\*3 This depends on the PC environment used (OS and USB host controller).

\*4 As a USB hub is also counted as one device, you cannot just connect 127 USB unit.

\*5 External circuit power supply is required separately.

### Installation Environment Requirements

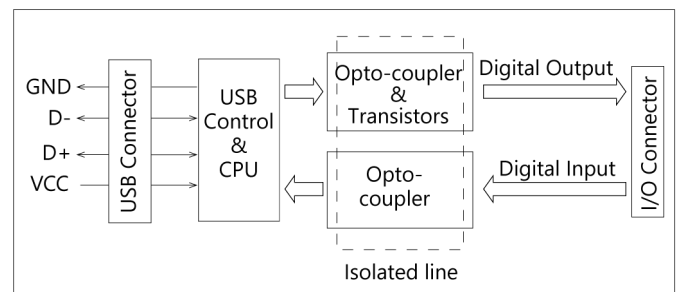
Item	Specifications
Operating ambient temperature *6	0 - 40°C
Operating ambient humidity *6	10 - 90%RH (No condensation)
Floating dust particles	Not to be excessive
Corrosive gases	None
Standard	VCCI Class A, CE Marking (EMC Directive Class A, RoHS Directive), UKCA

\*6 To suppress the heating, ensure that there are spaces for ventilation (about 5cm) around this product.

### AC adapter environmental condition (environmental specification)

Item	Specifications
Input voltage range	90 - 264VAC
Rated input current	300mA
Number of frequency	50 - 60Hz
Rated output voltage	5.0VDC
Rated output current	2.0A (Max)
Dimension (mm)	47.5(W) x 75(D) x 27.3(H) (No protrusions)
Weight	175g
Operating temperature	0 - 40 °C
Operating humidity	20 - 80%RH (No condensation)
Life expectancy	4 years at the ambient temperature 40 °C (When 100VAC is input and 1.3A is output)
Allowable time of short interruption	15ms (Max.) (When 100VAC is input and 1.3A is output) *1
Floating dust particles	Not to be excessive
Floating dust particles	None
Voltage corresponding to the attached AC cable	125VAC 7A

### Circuit Block Diagram



### Support Software

Name	Contents	How to get
Windows Version Digital I/O Driver software API-DIO(WDM)	The Windows device driver is provided as a form of Windows API functions. Various sample programs such as C# and Visual Basic .NET, Visual C++, Python etc. and diagnostic program useful for checking operation is provided.	Download from the CONTEC website *1
Linux Version Digital I/O Driver software API-DIO(LNX)	The Linux device driver is provided as a shared library. The software includes various sample programs such as gcc (C, C++) and Python programs, as well as a configuration tool to configure the device settings.	Download from the CONTEC website *1
Software Development Tool Kits (SDK) and Support Software	In addition to the device drivers, we offer many software programs for using CONTEC devices in an easier manner.	Download from the CONTEC website *2

\*1 Download the files from the following URL.

<https://www.contec.com/download/>

\*2 For supported software, search the CONTEC website for this product and view the product page.

<https://www.contec.com/>

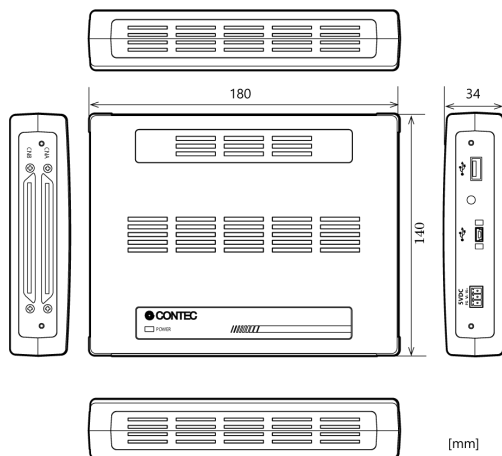
## Optional Products

Product Name	Model type	Description
Shielded Cable With Two 100pin Connector	PCB100PS-0.5	0.5m
	PCB100PS-1.5	1.5m
	PCB100PS-3	3m
	PCB100PS-5	5m
Connection Conversion Shield Cable (100P→96P)	PCB100/96PS-1.5	1.5m
	PCB100/96PS-3	3m
	PCB100/96PS-5	5m
Flat Cable with One 100-Pin Connector	PCA100P-1.5	1.5m
	PCA100P-3	3m
Connection Conversion Shield Cable (100pin→37pin D-SUB x 2)	PCB100WS-1.5	1.5m
	PCB100WS-3	3m
	PCB100WS-5	5m
Screw Terminal (M3 * 100)	EPD-100A	*1 *2 *5
Screw Terminal (M3 * 96)	EPD-96A	*1 *3 *5
Terminal Unit for Relay Terminal Banks	EPD-96	*3 *5
Screw Terminal	DTP-64A	*3 *5
Connector Conversion Board (96pin→37pinx2)	CCB-96	*3 *5
Signal monitor Accessory for Digital I/O (64bits)	CM-64L	*3 *5
Screw Terminal (M3 * 37P)	EPD-37A	*1 *4 *6
Screw Terminal (M3.5 * 37)	EPD-37	*4 *6
General Purpose Terminal	DTP-3C	*4 *6
Screw Terminal	DTP-4C	*4 *6
USB I/O Unit Bracket for X Series	BRK-USB-X	
AC-DC Power Adaptor (5VDC, 2A)	POA200-20-2	*7
F&I Series DC-DC Power Supply Unit	POW-DD10GY	
F&I Series 5VDC AC-DC Converter	PWD-25AWD5	

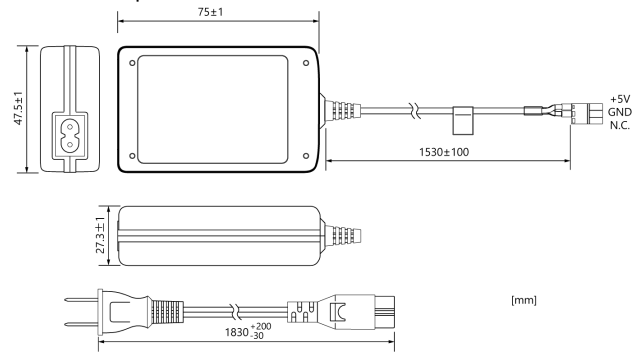
- \*1 "Spring-up" type terminal is used to prevent terminal screws from falling off.
- \*2 PCB100PS optional cable is required separately.
- \*3 PCB100/96PS optional cable is required separately.
- \*4 PCB100WS optional cable is required separately.
- \*5 If using both the CNA and CNB connectors, two each of the terminal block and cable sets are required.
- \*6 If using both the CNA and CNB connectors, two cable sets are required.  
You will also require sufficient terminal blocks for the number of I/O points you are using.
- \*7 It is the same as the one included to the product. Please buy it necessary for maintenance.
- \* Information about the option products, see the Contec's website.

## Physical Dimensions

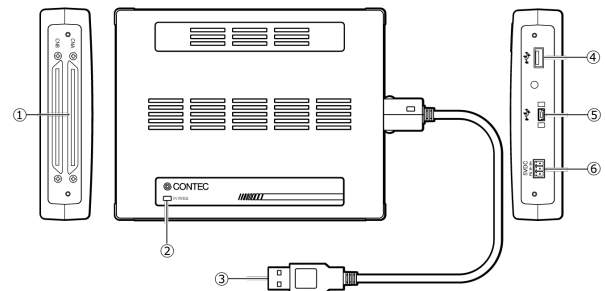
DIO-6464LX-USB main unit



Attached AC adapter (POA200-20-2)



## Nomenclature of Product Components



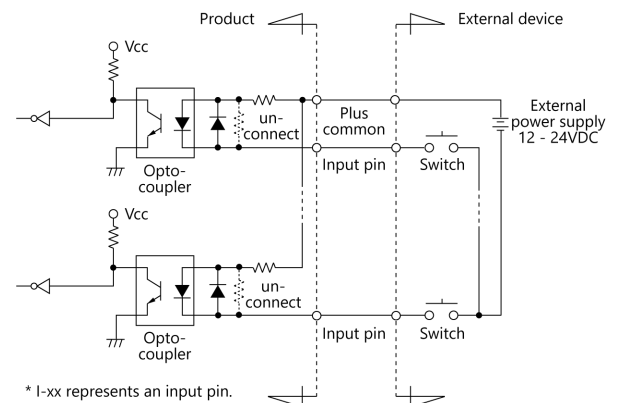
No.	Name	No.	Name
1	Interface Connector	4	USB port (USB Type-A connector)
2	POWER Status	5	USB port (mini B connector)
3	USB Type A connector	6	+5VDC input terminal

## Input Circuit

Connect the input signals to a device which can be current-driven, such as a switch or transistor output device.

The connection requires an external power supply to feed currents.

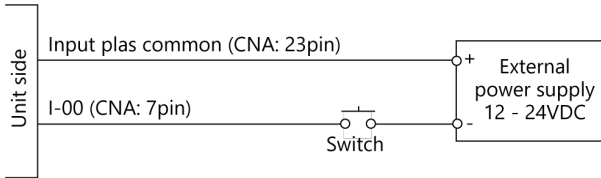
The product inputs the ON/OFF state of the current-driven device as a digital value.



The signal inputs are isolated by opto-couplers (ready to accept current sinking output signals).

The product therefore requires an external power supply to drive the inputs. The power requirement for each input pin is about 5.1 mA at 24 VDC (about 2.6 mA at 12 VDC).

### Connecting a Switch



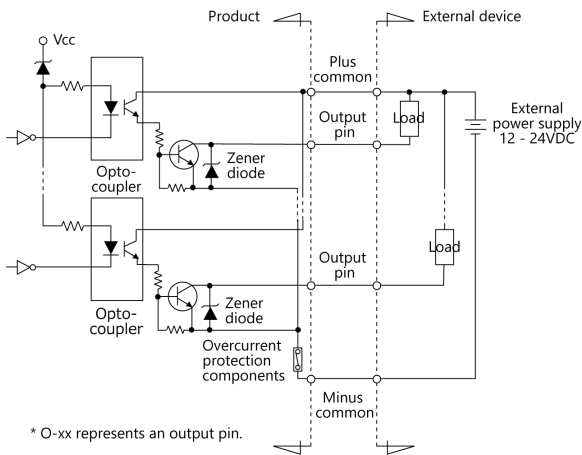
When the switch is ON, the corresponding bit contains 1.  
When the switch is OFF, by contrast, the bit contains 0.

### Output Circuit

Connect the output signals to a current-driven controlled device such as a relay or LED.

The connection requires an external power supply to feed currents.

The product controls turning on/off the current-driven controlled device using a digital value.



\* O-xx represents an output pin.

The signal output section is an opto-coupler isolated, open-collector output (current sink type). This product therefore requires the external power supply to drive the output section of this product.

The rated output current per channel is 100mA at maximum. The output section can also be connected to a TTL level input as it uses a low-saturated transistor for output.

The residual voltage (low-level voltage) between the collector and emitter with the output on is 0.5V or less at an output current within 50mA or at most 1.0V at an output current within 100mA.

A zener diode is connected to the output transistor for protection from surge voltages.

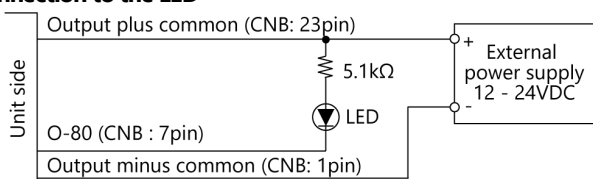
An overcurrent protection component is provided for every 8 output transistors.

When the over-current protector works, the output section of the product is temporarily disabled. If this is the case, turn off the power to the PC and the external power supply and wait for a few minutes, then turn them on back.

### CAUTION

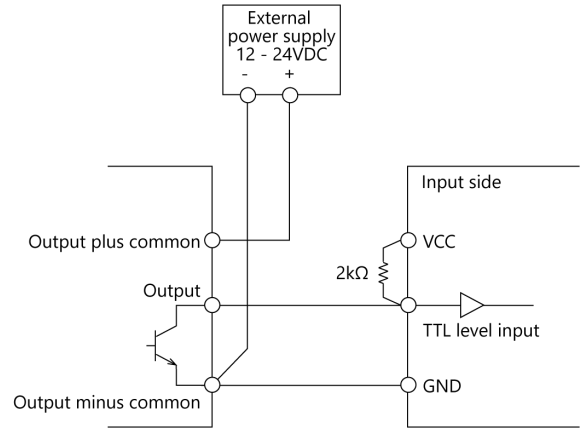
When the PC is turned on, all outputs are reset to OFF.

### Connection to the LED



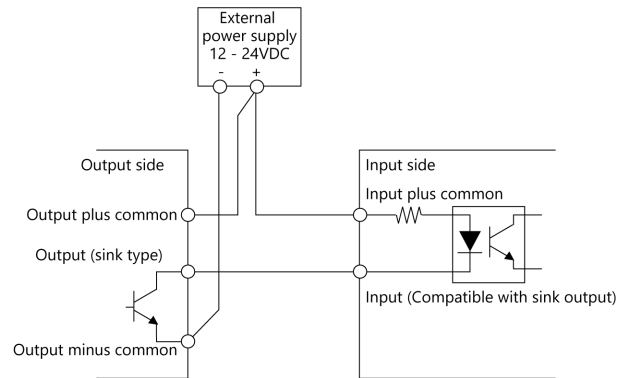
When "1" is output to a relevant bit, the corresponding LED comes on.  
When "0" is output to the bit, in contrast, the LED goes out.

### Example of Connection to TTL Level Input



### Connecting the Sink Type Output and Sink Output Support Input

The following example shows a connection between a sink type output (output side) and a sink output support input (input side). Refer to this connection example when you connect such products to each other.



### Connecting an Interface Connector

To connect an external device to this product, plug the cable from the device into the interface connector (CAN, CNB) shown below.



Interface connector (CNA, CNB)

- Connector used  
HDRA-E100W1LFDT1EC-SL+ or equivalent  
[mfd by HONDA TSUSHIN KOGYO CO., LTD.]

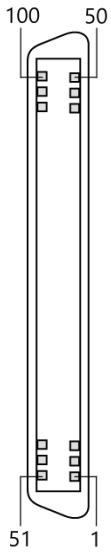
- Applicable connector  
HDRA-E100MA1 or equivalent  
[mfd by HONDA TSUSHIN KOGYO CO., LTD.]

### Difference from DIO-6464L-PE and PIO-64/64L(PCI)H

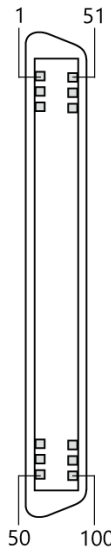
Item	DIO-6464LX-USB	DIO-6464L-PE	PIO-64/64L(PCI)H
Operating conditions	0 - 40 °C, 10 - 90%RH (No condensation)	0 - 50°C, 10 - 90%RH (No condensation)	
Current consumption (Max)	5VDC 550mA	3.3VDC 600mA	5VDC 500mA
Bus specification	USB Specification 2.0/1.1 standard	PCI Express Base Specification Rev. 1.0a x1	PCI (32bit, 33MHz, Universal key shapes supported)
Physical dimensions (mm)	180(L)×140(D)×34(H) (No protrusions)	169.33(L)×110.18(H)	176.41(L)×106.68(H)
Weight	300g (Not including the USB cable, attachment)	215g	215g

Signal Layout of DIO-6464LX-USB Interface Connector  
Layout on the Interface Connector (CNA, CNB)

CNB			
Common plus pin for +E/+F output ports	P-E/F	100	50
	P-E/F	99	49
+F port (Output)	O-F7	98	48
	O-F6	97	47
	O-F5	96	46
	O-F4	95	45
	O-F3	94	44
	O-F2	93	43
	O-F1	92	42
	O-F0	91	41
	O-E7	90	40
	O-E6	89	39
+E port (Output)	O-E5	88	38
	O-E4	87	37
	O-E3	86	36
	O-E2	85	35
	O-E1	84	34
	O-E0	83	33
	N-E/F	82	32
	N-E/F	81	31
	N-E/F	80	30
	N-E/F	79	29
Common minus pin for +E/+F output ports	N-E/F	78	28
	N-E/F	77	27
	N.C.	76	26
	N.C.	75	25
Common plus pin for +C/+D output ports	P-C/D	74	24
	P-C/D	73	23
+D port (Output)	O-D7	72	22
	O-D6	71	21
	O-D5	70	20
	O-D4	69	19
	O-D3	68	18
	O-D2	67	17
	O-D1	66	16
	O-D0	65	15
	O-C7	64	14
	O-C6	63	13
+C port (Output)	O-C5	62	12
	O-C4	61	11
	O-C3	60	10
	O-C2	59	9
Common minus pin for +C/+D output ports	O-C1	58	8
	O-C0	57	7
	N-C/D	56	6
	N-C/D	55	5
Common plus pin for +8/+9 output ports	N-C/D	54	4
	N-C/D	53	3
	N-C/D	52	2
	N-C/D	51	1



CNA			
+0 port (Input)	N.C.	1	51
	N.C.	2	52
	N.C.	3	53
	N.C.	4	54
	N.C.	5	55
	N.C.	6	56
+1 port (Input)	I-00	7	57
	I-01	8	58
	I-02	9	59
	I-03	10	60
	I-04	11	61
	I-05	12	62
	I-06	13	63
	I-07	14	64
	I-10	15	65
	I-11	16	66
+2 port (Input)	I-12	17	67
	I-13	18	68
	I-14	19	69
	I-15	20	70
	I-16	21	71
	I-17	22	72
	P-0/1	23	73
Common plus pin for +0/+1 input ports	P-0/1	24	74
	N.C.	25	75
+3 port (Input)	N.C.	26	76
	N.C.	27	77
	N.C.	28	78
	N.C.	29	79
	N.C.	30	80
	N.C.	31	81
	N.C.	32	82
	I-20	33	83
	I-21	34	84
	I-22	35	85
+4 port (Input)	I-23	36	86
	I-24	37	87
	I-25	38	88
	I-26	39	89
	I-27	40	90
	I-30	41	91
	I-31	42	92
+5 port (Input)	I-32	43	93
	I-33	44	94
	I-34	45	95
	I-35	46	96
	I-36	47	97
	I-37	48	98
	P-2/3	49	99
Common plus pin for +2/+3 input ports	P-2/3	50	100

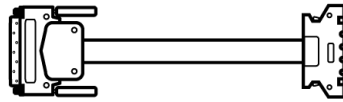


\* I-00 - I-17 can be used as interrupt signal.

Signal name	Description
I-00 - I-77	64 input signal pins. Connect output signals from the external device to these pins.
O-80 - O-F7	64 output signal pins. Connect these pins to the input signal pins of the external device.
P-0/1	Connect the positive side of the external power supply. These pins are common to 16 pins of input sign.
P-2/3	Connect the positive side of the external power supply. These pins are common to 16 pins of input sign.
P-4/5	Connect the positive side of the external power supply. These pins are common to 16 pins of input sign.
P-6/7	Connect the positive side of the external power supply. These pins are common to 16 pins of input sign.
P-8/9	Connect the positive side of the external power supply. These pins are common to 16 pins of output sign.
P-A/B	Connect the positive side of the external power supply. These pins are common to 16 pins of output sign.
P-C/D	Connect the positive side of the external power supply. These pins are common to 16 pins of output sign.
P-E/F	Connect the positive side of the external power supply. These pins are common to 16 pins of output sign.
N-8/9	Connect the negative side of the external power supply. These pins are common to 16 output signal pins. A current of 0.3 A is allowable per connector pin. Connect the required number of pins for the total current for the corresponding 16 output signals. All 6 pins must be connected when using all 16 outputs at the maximum rated output current of 100 mA.
N-A/B	Connect the negative side of the external power supply. These pins are common to 16 output signal pins. A current of 0.3 A is allowable per connector pin. Connect the required number of pins for the total current for the corresponding 16 output signals. All 6 pins must be connected when using all 16 outputs at the maximum rated output current of 100 mA.
N-C/D	Connect the negative side of the external power supply. These pins are common to 16 output signal pins. A current of 0.3 A is allowable per connector pin. Connect the required number of pins for the total current for the corresponding 16 output signals. All 6 pins must be connected when using all 16 outputs at the maximum rated output current of 100 mA.
N-E/F	Connect the negative side of the external power supply. These pins are common to 16 output signal pins. A current of 0.3 A is allowable per connector pin. Connect the required number of pins for the total current for the corresponding 16 output signals. All 6 pins must be connected when using all 16 outputs at the maximum rated output current of 100 mA.
N.C.	These pins are left unconnected.

Pin assignments for connecting to the PCB100/96PS

PCB100/96PS

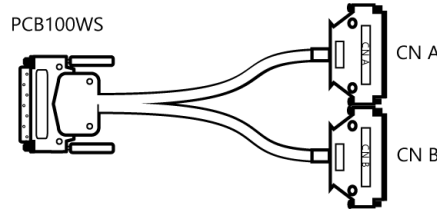


When connected to CNB of the product			
Common minus pin for +C/+D output ports	N-C/D	B01	A01
	N-C/D	B02	A02
	O-C0	B03	A03
	O-C1	B04	A04
	O-C2	B05	A05
	O-C3	B06	A06
	O-C4	B07	A07
	O-C5	B08	A08
	O-C6	B09	A09
	O-C7	B10	A10
+C port (Output)	O-D0	B11	A11
	O-D1	B12	A12
	O-D2	B13	A13
	O-D3	B14	A14
	O-D4	B15	A15
	O-D5	B16	A16
	O-D6	B17	A17
	O-D7	B18	A18
+D port (Output)	P-C/D	B19	A19
	P-C/D	B20	A20
	N.C.	B21	A21
	N.C.	B22	A22
	N.C.	B23	A23
	N.C.	B24	A24
	N.C.	B25	A25
	N.C.	B26	A26
Common plus pin for +C/+D output ports	N.C.	B27	A27
	N.C.	B28	A28
	N.C.	B29	A29
	N.C.	B30	A30
	N.C.	B31	A31
	N.C.	B32	A32
	N.C.	B33	A33
	N.C.	B34	A34
Un-connected	N.C.	B35	A35
	N.C.	B36	A36
	N.C.	B37	A37
	N.C.	B38	A38
	N.C.	B39	A39
	N.C.	B40	A40
	N.C.	B41	A41
	N.C.	B42	A42
Common minus pin for +E/+F output ports	N-E/F	B29	A29
	N-E/F	B30	A30
	O-E0	B31	A31
	O-E1	B32	A32
	O-E2	B33	A33
	O-E3	B34	A34
	O-E4	B35	A35
	O-E5	B36	A36
+E port (Output)	O-E6	B37	A37
	O-E7	B38	A38
	O-F0	B39	A39
	O-F1	B40	A40
	O-F2	B41	A41
	O-F3	B42	A42
	O-F4	B43	A43
	O-F5	B44	A44
+F port (Output)	O-F6	B45	A45
	O-F7	B46	A46
	P-E/F	B47	A47
	P-E/F	B48	A48
	P-A/B	B47	A47
	P-A/B	B48	A48
	P-A/B	B47	A47
	P-A/B	B48	A48

When connected to CNA of the product			
Un-connected	N.C.	B01	A01
	N.C.	B02	A02
	I-40	B03	A03
	I-41	B04	A04
	I-42	B05	A05
	I-43	B06	A06
	I-44	B07	A07
	I-45	B08	A08
	I-46	B09	A09
	I-47	B10	A10
+4 port (Input)	I-50	B11	A11
	I-51	B12	A12
	I-52	B13	A13
	I-53	B14	A14
	I-54	B15	A15
	I-55	B16	A16
	I-56	B17	A17
	I-57	B18	A18
Common plus pin for +4/+5 input ports	P-4/5	B19	A19
	P-4/5	B20	A20
	N.C.	B21	A21
	N.C.	B22	A22
	N.C.	B23	A23
	N.C.	B24	A24
	N.C.	B25	A25
	N.C.	B26	A26
Un-connected	N.C.	B27	A27
	N.C.	B28	A28
	N.C.	B29	A29
	N.C.	B30	A30
	I-60	B31	A31
	I-61	B32	A32
	I-62	B33	A33
	I-63	B34	A34
+6 port (Input)	I-64	B35	A35
	I-65	B36	A36
	I-66	B37	A37
	I-67	B38	A38
	I-70	B39	A39
	I-71	B40	A40
	I-72	B41	A41
	I-73	B42	A42
+7 port (Input)	I-74	B43	A43
	I-75	B44	A44
	I-76	B45	A45
	I-77	B46	A46
	P-6/7	B47	A47
	P-6/7	B48	A48
	P-2/3	B47	A47
	P-2/3	B48	A48

\* [ ] shows pin numbers specified by HONDA TSUSHIN KOGYO CO., LTD

Pin assignments for connecting to the PCB100WS



CNA of PCB100WS connected to CNB of product						
	N.C.	19	19 37			
Common plus pin for +8/+9 output ports	P-8/9	18		37	P-A/B	
+9 port (Output)	O-97	17		36	O-B7	+B port (Output)
	O-96	16		35	O-B6	
	O-95	15		34	O-B5	
	O-94	14		33	O-B4	
	O-93	13		32	O-B3	
	O-92	12		31	O-B2	
	O-91	11		30	O-B1	
	O-90	10		29	O-B0	
	O-87	9		28	O-A7	
O-86	8	27		O-A6		
O-85	7	26		O-A5		
O-84	6	25		O-A4		
O-83	5	24		O-A3		
O-82	4	23		O-A2		
O-81	3	22		O-A1		
O-80	2	21		O-A0		
Common minus pin for +8/+9 output ports	N-8/9	1		20	N-A/B	Common minus pin for +A/+B output ports

CNA of PCB100WS connected to CNA of product						
	N.C.	19	19 37			
Common plus pin for +0/+1 input ports	P-0/1	18		37	P-2/3	
+1 port (Input)	I-17	17		36	I-37	+3 port (Input)
	I-16	16		35	I-36	
	I-15	15		34	I-35	
	I-14	14		33	I-34	
	I-13	13		32	I-33	
	I-12	12		31	I-32	
	I-11	11		30	I-31	
	I-10	10		29	I-30	
	I-07	9		28	I-27	
I-06	8	27		I-26		
I-05	7	26		I-25		
I-04	6	25		I-24		
I-03	5	24		I-23		
I-02	4	23		I-22		
I-01	3	22		I-21		
I-00	2	21		I-20		
Common minus pin for +0/+1 input ports	N.C.	1		20	N.C.	Common minus pin for +2/+3 input ports

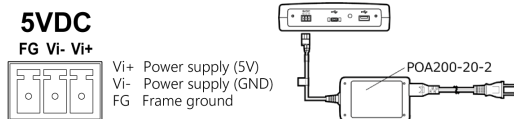
CNB of PCB100WS connected to CNB of product						
	N.C.	19	19 37			
Common plus pin for +C/+D output ports	P-C/D	18		37	P-E/F	
+D port (Output)	O-D7	17		36	O-F7	+F port (Output)
	O-D6	16		35	O-F6	
	O-D5	15		34	O-F5	
	O-D4	14		33	O-F4	
	O-D3	13		32	O-F3	
	O-D2	12		31	O-F2	
	O-D1	11		30	O-F1	
	O-D0	10		29	O-F0	
	O-C7	9		28	O-E7	
O-C6	8	27		O-E6		
O-C5	7	26		O-E5		
O-C4	6	25		O-E4		
O-C3	5	24		O-E3		
O-C2	4	23		O-E2		
O-C1	3	22		O-E1		
O-C0	2	21		O-E0		
Common minus pin for +C/+D output ports	N-C/D	1		20	N-E/F	Common minus pin for +E/+F output ports

CNB of PCB100WS connected to CNA of product						
	N.C.	19	19 37			
Common plus pin for +4/+5 input ports	P-4/5	18		37	P-6/7	
+5 port (Input)	I-57	17		36	I-77	+7 port (Input)
	I-56	16		35	I-76	
	I-55	15		34	I-75	
	I-54	14		33	I-74	
	I-53	13		32	I-73	
	I-52	12		31	I-72	
	I-51	11		30	I-71	
	I-50	10		29	I-70	
	I-47	9		28	I-67	
I-46	8	27		I-66		
I-45	7	26		I-65		
I-44	6	25		I-64		
I-43	5	24		I-63		
I-42	4	23		I-62		
I-41	3	22		I-61		
I-40	2	21		I-60		
Common minus pin for +4/+5 input ports	N.C.	1		20	N.C.	Common minus pin for +6/+7 input ports

**+5VDC input terminal**

This product must be connected with 5VDC power supply (in a self-powered state).

Connect with 5VDC power supply by using +5VDC input pin.



When using the attached AC adapter [POA200-20-2], please connect directly to the input terminals.

When the accompanying power connector (MC1,5/3-ST-3,5, suitable cable: AWG28 - 16) is used to supply power to this unit, strip the end of the suitable cable and insert it to the power connector before firmly securing it using a screw.

Beside the AC adaptor, a power supply for installation on a DIN rail is also available (as an option).

Use the appropriate power supply depending on the operating environment and application. When a power supply for installation on a DIN rail is used, connect the unit using the accompanying power connector MC1,5/3-ST-3,5.

**CAUTION**

- Connect 5VDC power supply to the main unit. Next, connect the USB cable to the PC. Do not turn it on or off when using. If you remove, USB cable is first and then 5VDC power supply.
- When the USB module is not used, leave the AC adapter unplugged.
- Continuously using the AC adapter heated affects its life.
- Use the AC adapter not in a closed place but in a well-ventilated place not to be heated.
- Do not remove the power connector [MC1,5/3-ST-3,5] attached to the AC adapter.