

Conversion Cable (16-Pin to 15-Pin)
with Bracket

DT-E3



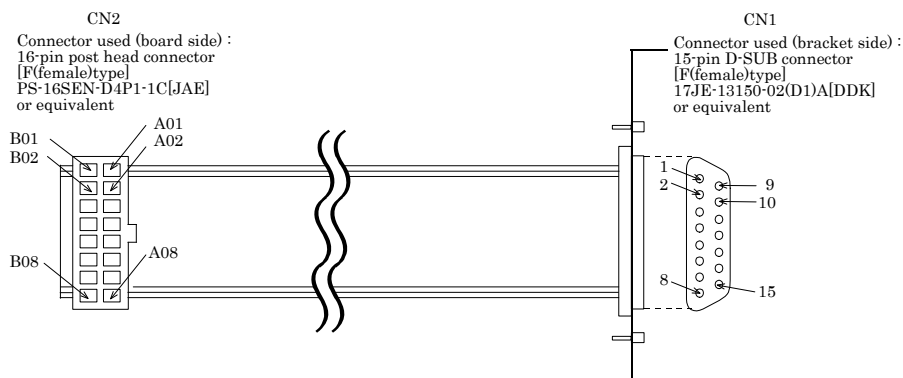
This product is one-to-one connector cable with bracket. The 15pin Flat cable connects the 16pin post head connector to the 15pin D-SUB connector.

* Specifications, color and design of the products are subject to change without notice.

Specification

| Item | Specification |
|-------------------------------|---|
| Connector used (board side) | 16-pin post head connector [F(female)type] PS-16SEN-D4P1-1C[JAE] or equivalent |
| Connector used (bracket side) | 15-pin D-SUB connector [F(female)type] 17JE-13150-02(D1)A[DDK] or equivalent Screw nut: UNC#4-40(Inch screw) |
| Cable | Flat cable Conductor size: AWG28 Conductor composition: 7pcs/0.127mm UL2651 |
| Weight | 50g |

Physical Dimensions



Connection Diagram

