

Industrial Edge AI Computers Jetson Orin Nano model  
**DX-U2100 Series**  
 Industrial Edge AI Computers Jetson Orin NX model  
**DX-U2200 Series**



\* Specifications, color and design of the products are subject to change without notice.

**Features**

**Edge AI accelerator equipped with NVIDIA® Jetson Orin™ NX or Jetson Orin™ Nano**

Equipped with NVIDIA® Jetson Orin™ NX or Jetson Orin™ Nano, this product can be used in fields requiring on-site AI inference processing, such as image inspection and predictive maintenance.

**"Power failure protection system" features power-off without OS shutdown**

This feature protects the NVMe SSD from sudden power failures. The built-in "power failure protection system" function prevents system crashes. The power failure protection system can now be used by applying the JetPack/L4T version (JetPack 5.1.3 [L4T 35.5.0] or later) provided by Contec. When enabled, the power failure protection system saves to RAM the data to write to the NVMe SSD, preventing data from being written to the NVMe SSD.

**Standard-equipped with NVMe storage**

The standard-equipped high-capacity NVMe storage offers reliable operation with no need to worry about the capacity of the Jetson Xavier NX™ module's eMMC.

**4G LTE Cat. 4 communication**

The lineup also includes products equipped with an LTE SIM-free communication module that complies with the Radio Act of Japan, enabling 4G LTE Cat. 4 communication.

\* The wireless communication function of this product can only be used in Japan and requires a separate SIM card contract.

**Long-term supply and maintenance**

Long-term product supply is provided, as well as repair and maintenance services. This can significantly reduce life cycle costs, including verification and modification man-hours that were needed with every model change.

**Highly reliable and long-life components**

The high-reliability long-life design utilizes accumulated knowledge about BOX-PC embedded computers. The DX-U1200 can be reliably used for high-availability systems.

**Four Gigabit LAN ports for alternating connections between different network layers**

This product is equipped with four Gigabit LAN ports. This makes it ideal for edge computing that alternates connections between different network layers such as between video acquisition from a camera and higher-order information system networks.

**Flexible installation**

With the L-shaped mounting bracket (included as standard), the product can be installed on a wall or on the back of a VESA (100 mm) mount-compatible LCD monitor. It can also be mounted on a 35-mm DIN rail with a DIN rail adapter (included as standard).

This product is an industrial computer suitable for AI inference processing equipped with the NVIDIA® Jetson Orin™ NX or Jetson Orin™ Nano module.

It is equipped with four Gigabit LAN ports, an HDMI port, four USB ports, general I/O ports, a serial port, CAN port and an RTC (real-time calendar/clock) for flexible installation in addition to advanced environmental resistance. The computer also comes standard with a high-capacity NVMe storage for stress-free use in practical applications.

This product includes sheet metal (pre-attached) and connector caps as simple dust control measures to prevent dust and dirt from entering through the vents.

Similar to the developer kit for the software environment, Ubuntu is pre-installed and JetPack SDK is available to run applications created with the developer kit.

The LTE model is equipped with an LTE SIM-free communication module, enabling 4G LTE Cat. 4 communication.

- \* The contents in this document are subject to change without notice.
- \* Visit the CONTEC website to check the latest details in the document.
- \* The information in the data sheets is as of October, 2024.

**Supports ambient temperatures from -20°C to +60°C**

This product achieves stable operation in a wide temperature range of -20 to +60°C (an airflow of 0.7m/s) and it can be used in the various environment.

\* Derating occurs due to the load conditions. See the "Installation Requirements" in this manual for details.

**Specifications**

**Function Specifications (DX-U2100-xMxxxx, DX-U2100-4GxMxxxx)**

| Item           | Description  |   |       |
|----------------|--|---|-------|
|                | DX-U2100-xMxxxx  | DX-U2100-4GxMxxxx   |       |
| Jetson Module  | Module   | NVIDIA® Jetson Orin™ Nano   |       |
|                | CPU  | 6-core Arm® Cortex®-A78AE v8.2 64bit CPU 1.5GHz   |       |
|                | GPU  | - DX-U2100-2Mxxxx, DX-U2100-4GMMxxxx<br>512-core NVIDIA Ampere GPU with 16 tensor cores 625MHz<br>- DX-U2100-3Mxxxx, DX-U2100-4G3Mxxxx<br>1024-core NVIDIA Ampere GPU with 32 tensor cores 625MHz |       |
|                | DL Accelerator   | -   |       |
|                | Memory   | - DX-U2100-2Mxxxx, DX-U2100-4G2Mxxxx<br>4GB 64bit LPDDR5 34GB/sec<br>- DX-U2100-3Mxxxx, DX-U2100-4G3Mxxxx<br>8GB 128bit LPDDR5 68GB/sec   |       |
|                | eMMC Storage   | -   |       |
| NVMe Storage   | - DX-U2100-xM0623, DX-U2100-4GxM0623<br>256GB 3D TLC<br>- DX-U2100-xM0723, DX-U2100-4GxM0723<br>512GB 3D TLC<br>- DX-U2100-xM0823, DX-U2100-4GxM0823<br>1TB 3D TLC |   |       |
| Interface      | Display  | HDMI1.4 x 1   |       |
|                | USB  | USB 3.2 Gen2 (USB3.1) Type A x 2<br>USB 2.0 Type A x 2<br>USB 2.0 Micro-B x 1 (For OS writing)  |       |
|                | LAN  | 1000BASE-T/1000BASE-TX/10BASE-Tx4<br>(Built-in Jetson module x 1, Intel® I210 Controller x 3)   |       |
|                | Digital Input  | Opto-coupler isolation input (Compatible with current sink output)  |       |
|                |  | Input voltage resistance  | 1000V |
| Digital Output | The number of input signal ports 4 (2 ports of DI can be used for DO)  |   |       |
|                | Open-circuit impedance   | 10kΩ or more  |       |
| RS-232C        | Short-circuit impedance  | 500Ω or less  |       |
|                | Response time (DI)   | within 200μsec  |       |
|                | Solid State Relay output   |   |       |
|                | Output voltage resistance  | 1000V   |       |
|                | The number of output signal channels   | 2 (switchable with DI)  |       |
|                | External power supply  | 12 - 24 VDC   |       |
|                | Maximum output voltage/current   | 26.4V/100mA   |       |
| Response time  | within 2msec   |   |       |
| RS-485         | ON resistance  | 8Ω or less (at 25°C)  |       |
|                | OFF leakage current  | 4μA or less (at 25°C)   |       |
| RS-232C        | 1port (Non-insulation, 4800bps - 921.6kbps)  |   |       |
| RS-485         | 1port (Non-insulation, 4800bps - 921.6kbps)  |   |       |

| Item                     | Description  |   |
|--------------------------|--|---|
|                          | DX-U2100-xMxxxx  | DX-U2100-4GxMxxxx   |
| CAN                      | CAN2.0A/B 1port (Non-insulation, 10bps - 1Mbps)  |   |
|                          | 4G LTE   | Built-in 4G LTE CAT4 module   |
|                          | Switch   | Power switch, Setting switch, Terminal Switch (RS-485:100Ω±5%, CAN:120Ω±5%) |
|                          | LED  | Power LED, Status LED, ACCESS LED   |
| Real Time Clock          | Lithium backup battery life : 10 years or more<br>The real-time clock is accurate within ±3 minutes (at 25°C) per month. |   |
| Power Supply             | Rated Input Voltage  | 10 - 30VDC  |
|                          | Input Voltage Range  | 9 - 32VDC   |
|                          | Current Consumption  | 12VDC 3.3A (Max.),<br>24VDC 1.7A (Max.)                                     |
|                          | Connector  | 2-piece 3.5mm pitch 3-pin terminal (V+, V-, FG)                             |
| Physical Dimensions (mm) | 190(W) x 92(D) x 45(H)<br>(No bracket or projection included)  |   |
| Weight                   | 1.2kg approx. (No bracket included)  | 1.3kg approx. (No bracket included)   |
| Installation Method      | DIN-rail mounting, Wall/VESA installation  |   |
| Software                 | OS   | Ubuntu 20.04  |
|                          | SDK  | JetPack 5.1.2   |

**Function Specifications (DX-U2200-xMxxxx, DX-U2200-4GxMxxxx)**

| Item                | Description   |  |                                      |
|---------------------|---|--|--------------------------------------|
|                     | DX-U2200-xMxxxx   | DX-U2200-4GxMxxxx  |                                      |
| Jetson Module       | Module  | NVIDIA® Jetson Orin™ NX  |                                      |
|                     | CPU   | - DX-U2200-3Mxxxx, DX-U2200-4G3Mxxxx<br>6-core Arm® Cortex®-A78AE v8.2 64bit CPU 2GHz<br>- DX-U2200-4Mxxxx, DX-U2200-4G4Mxxxx<br>8-core Arm® Cortex®-A78AE v8.2 64bit CPU 2GHz                     |                                      |
|                     | GPU   | - DX-U2200-3Mxxxx, DX-U2200-4G3Mxxxx<br>1024-core NVIDIA Ampere GPU with 32 tensor cores 765MHz<br>- DX-U2200-4Mxxxx, DX-U2200-4G4Mxxxx<br>1024-core NVIDIA Ampere GPU with 32 tensor cores 918MHz |                                      |
|                     | DL Accelerator  | - DX-U2200-3Mxxxx, DX-U2200-4G3Mxxxx<br>NVIDIA® v2 x1 610MHz<br>- DX-U2200-4Mxxxx, DX-U2200-4G4Mxxxx<br>NVIDIA® v2 x2 614MHz   |                                      |
|                     | Memory  | - DX-U2200-3Mxxxx, DX-U2200-4G3Mxxxx<br>8GB 128bit LPDDR5 102.4GB/sec<br>- DX-U2200-4Mxxxx, DX-U2200-4G4Mxxxx<br>16GB 128bit LPDDR5 102.4GB/sec  |                                      |
|                     | eMMC Storage  | -  |                                      |
| NVMe Storage        | - DX-U2200-xM0623, DX-U2200-4GxM0623<br>256GB 3D TLC                        |  |                                      |
|                     | - DX-U2200-xM0723, DX-U2200-4GxM0723<br>512GB 3D TLC                        |  |                                      |
| Interface           | Display   | HDMI2.1 x 1  |                                      |
|                     | USB   | USB3.2 Gen2 (USB3.1) Type A x 2<br>USB2.0 Type A x 2<br>USB2.0 Micro-B x 1 (For OS writing)  |                                      |
|                     | LAN   | 1000BASE-T/1000BASE-TX/10BASE-Tx4<br>(Built-in Jetson module x1, Intel® I210 Controller x 3)   |                                      |
|                     | Digital Input   | Opto-coupler isolation input (Compatible with current sink output)   |                                      |
|                     |   | Input voltage resistance   | 1000V                                |
|                     |   | The number of input signal ports   | 4 (2 ports of DI can be used for DO) |
|                     |   | Open-circuit impedance   | 10kΩ or more                         |
|                     |   | Short-circuit impedance  | 500Ω or less                         |
|                     | Digital Output  | Solid State Relay output   |                                      |
|                     |   | Output voltage resistance  | 1000V                                |
|                     |   | The number of output signal channels   | 2 (switchable with DI)               |
|                     |   | External power supply  | 12 - 24 VDC                          |
|                     |   | Maximum output voltage/current   | 26.4V/100mA                          |
|                     | Response time   | within 2msec   |                                      |
| ON resistance       | 8Ω or less (at 25°C)  |  |                                      |
| OFF leakage current | 4μA or less (at 25°C)   |  |                                      |
| RS-232C             | 1port (Non-insulation, 4800bps - 921.6kbps)                                 |  |                                      |
| RS-485              | 1port (Non-insulation, 4800bps - 921.6kbps)                                 |  |                                      |
| CAN                 | CAN2.0A/B 1port Non-insulation, 10kbps - 1Mbps)                             |  |                                      |
| 4G LTE              | Built-in 4G LTE CAT4 module   |  |                                      |
| Switch              | Power switch, Setting switch, Terminal Switch (RS-485:100Ω±5%, CAN:120Ω±5%) |  |                                      |
| LED                 | Power LED, Status LED, ACCESS LED   |  |                                      |

| Item                     | Description  |   |
|--------------------------|--|---|
|                          | DX-U2200-xMxxxx  | DX-U2200-4GxMxxxx                               |
| Real Time Clock          | Lithium backup battery life : 10 years or more<br>The real-time clock is accurate within ±3 minutes (at 25°C) per month. |   |
| Power Supply             | Rated Input Voltage  | 10 - 30VDC                                      |
|                          | Input Voltage Range  | 9 - 32VDC                                       |
|                          | Current Consumption  | 12VDC 3.7A (Max.),<br>24VDC 1.9A (Max.)         |
|                          | Connector  | 2-piece 3.5mm pitch 3-pin terminal (V+, V-, FG) |
| Physical Dimensions (mm) | 190(W) x 92(D) x 45(H)<br>(No bracket or projection included)  |   |
| Weight                   | 1.2kg approx. (No bracket included)  | 1.3kg approx. (No bracket included)             |
| Installation Method      | DIN-rail mounting, Wall/VESA installation  |   |
| Software                 | OS   | Ubuntu 20.04                                    |
|                          | SDK  | JetPack 5.1.2                                   |

**LTE Specifications (DX-U2100-4GxMxxxx, DX-U2200-4GxMxxxx)**

| Item                   | Description  |   |
|------------------------|--|---|
| Supported SIM          | nanoSIM  |   |
| Communication method   | 4G LTE (Cat4)<br>3G W-CDMA   |   |
| Radio frequency        | 4G LTE supported bands<br>LTE-FDD : B1/B3/B4/B8/B18/B19/B26/B28<br>LTE-TDD : B41<br>3G W-CDMA supported Band<br>B1/B6/B8/B19 |   |
| Communication speed *1 | 4G LTE-FDD   | Upload : Maximum 50MBit/sec, Download : Maximum 150MBit/sec   |
|                        | 4G LTE-TDD   | Upload : Maximum 35MBit/sec, Download : Maximum 130MBit/sec   |
|                        | 3G W-CDMA  | Upload : Maximum 384KBit/sec, Upload (HSPA) : Maximum 2.2 MBit/sec,<br>Download : Maximum 384KBit/sec, Download (HSDPA) : Maximum 2.8MBit/sec |

\*1 These are theoretical communication standard values and do not indicate actual data transfer speeds.

**Environment Requirements**

| Item                     | Description   |  |
|--------------------------|---|--|
| Operating Temperature *2 | -20 - +60°C, airflow 0.7m/s, Environment: 50% of average load |  |
| Storage Temperature      | -20 - +60°C   |  |
| Humidity                 | 10 - 90%RH (No condensation)                                  |  |
| Floating dust particles  | Not to be excessive   |  |
| Corrosive gases          | None  |  |
| Line-noise resistance    | Line noise  | AC Line /±2kV (IEC61000-4-4 Level 3, EN61000-4-4 Level 3)  |
|                          | Static electricity resistance                                 | Contact discharge /±4kV (IEC61000-4-2 Level 2, EN61000-4-2 Level 2)<br>Air discharge /±8kV (IEC61000-4-2 Level 3, EN61000-4-2 Level 3)   |
| Vibration resistance     | Sweep resistance  | 10 - 57Hz /semi-amplitude vibration 0.15mm, 57 - 150Hz/2.0G<br>40minutes each in X, Y, and Z directions (JIS C60068-2-6-compliant, IEC60068-2-6-compliant)   |
| Impact resistance        |   | 15G half-sine shock for 11ms in X, Y, and Z directions<br>(JIS C 60068-2-27-compliant, IEC 60068-2-27-compliant)   |
| Grounding                |   | Class D grounding, SG-FG / continuity  |
| Standard                 |   | - DX-U2100-xMxxxx, DX-U2200-xMxxxx [Base model]<br>VCCI Class A, FCC Class A<br>CE Marking (EMC Directive Class A, RoHS Directive) *3, UKCA<br><br>- DX-U2100-4GxMxxxx, DX-U2200-4GxMxxxx [LTE model]<br>VCCI Class A, TELECOM |

\*2 Derating occurs due to the load conditions. For more details on this, refer to "Installation Requirements".

\*3 To meet CE's requirements, DIO cable should be 30 meters or shorter.

### Optional Products

| Item              | Model             | Description   |
|-------------------|-------------------|---|
| AC-DC power unit  | CPS-PWD-90AW24-01 | DIN rail fitting power supply AC-DC power unit 24V 3.8A |
| AC adapter        | PWA-65AWD9        | Switching AC adapter 19VDC 3.42A                        |
| 4G LTE Antenna    | CPS-ANT-R3-01     | External Antenna 3M                                     |
|                   | CPS-ANT-R5-01     | External Antenna 5M                                     |
| External FAN unit | DX-FAN-07         | External FAN for forced air cooling                     |

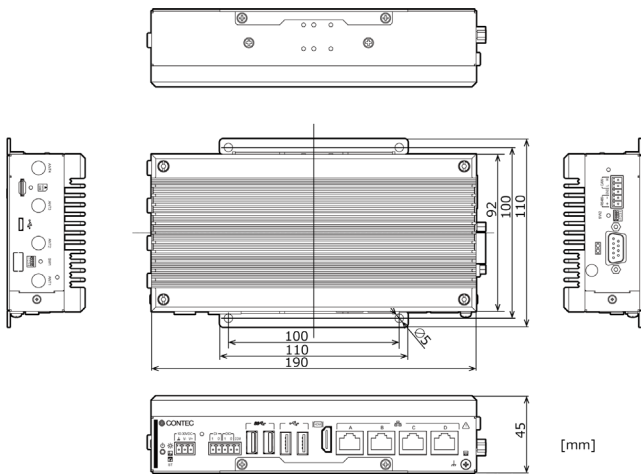
#### CAUTION

If you use an item other than our optional ones, the normal operation may be impaired or the functions may be limited.

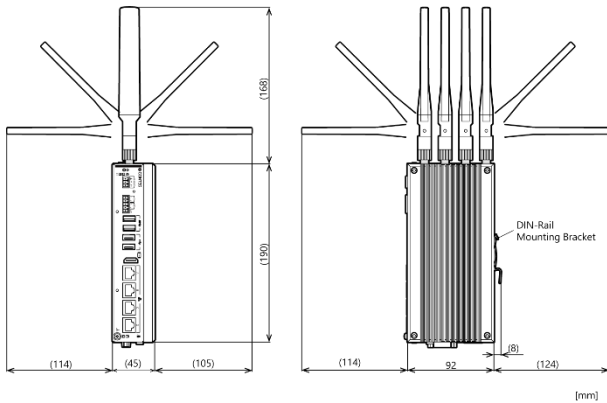
Visit the CONTEC website for the latest optional products.

### Physical Dimensions

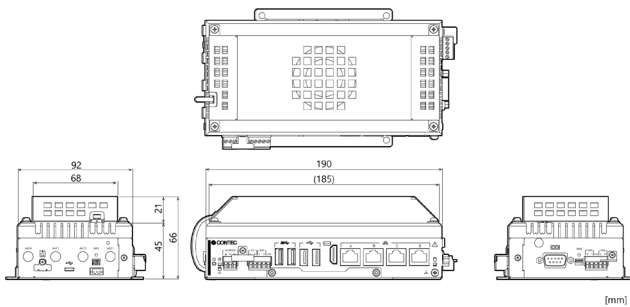
#### When an L-shaped bracket is attached



#### When the antennas are connected



#### When external FAN is used

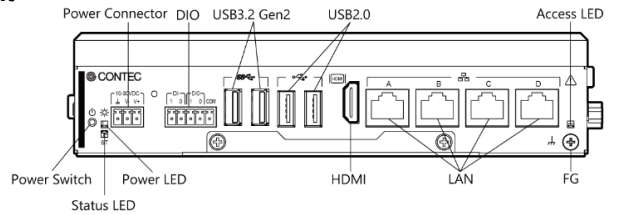


### Included Items

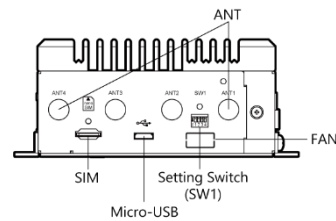
| Name  | DX-U2100-xMxxxx<br>DX-U2200-xMxxxx | DX-U2100-4GxMxxxx<br>DX-U2200-4GxMxxxx |
|---|------------------------------------|--|
|   | [Base Model]                       | [LTE Model]                            |
| Product   | 1                                  | 1                                      |
| Power Connector                                       | 1                                  | 1                                      |
| DIO, RS-485/CAN Connector                             | 2                                  | 2                                      |
| Card Cover  | 1                                  | 1                                      |
| Power/DIO Connector Removal Prevention Fitting        | 1                                  | 1                                      |
| RS-485/CAN Connector Removal Prevention Fitting       | 1                                  | 1                                      |
| L-Shape Fitting                                       | 2                                  | 2                                      |
| DIN-Rail Mounting Bracket                             | 2                                  | 2                                      |
| Fillister Head Screw (M2.6x4, black)                  | 3                                  | 3                                      |
| Countersunk Screw (M3x5, black)                       | 4                                  | 4                                      |
| Washer Assembled Screw (M3x6, Ni)                     | 2                                  | 2                                      |
| Hexagon Head Screw with Captive Washer (M4x10, black) | 4                                  | 4                                      |
| Cable Tie   | 1                                  | 1                                      |
| Antenna   | 0                                  | 2                                      |
| Product Guide   | 1                                  | 1                                      |

### Component Name

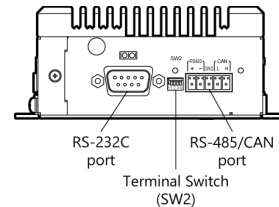
#### Front



#### Left side



#### Right side



| Name            | Function  |
|-----------------|---|
| <b>Front</b>    |   |
| POWER SW        | This controls the power of the product.               |
| POWER LED       | This LED indicates the product is switched on or off. |
| STATUS LED      | This LED indicates the status of the product.         |
| ACCESS LED      | This LED indicates the status of the SSD.             |
| Power Connector | This connector is used to supply the power.           |
| DIO             | This is a connector for digital inputs and outputs.   |
| HDMI            | Display (19-pin, Receptacle)                          |
| USB 3.2 Gen2    | USB 3.2 Gen2 (USB3.1) TYPE-A Connector                |
| USB 2.0         | USB 2.0 TYPE-A Connector                              |
| LAN Port        | This is a connector port for LAN.                     |

| Name                                  | Function   |
|---------------------------------------|--|
| FG                                    | This is the frame ground connector used to ground the product.           |
| <b>Left side</b>                      |  |
| Setting Switch (SW1)                  | This switch is used for settings.  |
| Micro-USB                             | This is a connector port for USB 2.0 Micro-B. It is used for OS writing. |
| ANT                                   | These are the antenna connectors for 4G communication.                   |
| SIM                                   | This is the SIM slot for 4G communication.                               |
| FAN                                   | This is a connector for connecting an external FAN unit.                 |
| <b>Right side</b>                     |  |
| RS-232C port                          | This is the port for RS-232C communication.                              |
| Terminal Switch Terminal Switch (SW2) | This is the terminal switch for RS-485/CAN communication.                |
| RS-485/CAN port                       | This is the port for RS-485/CAN communication.                           |

## Product Lineup

The product has twenty-four models.

| Model             | Jetson Module        | LTE         | Storage |
|-------------------|----------------------|-------------|---------|
| DX-U2100-2M0623   | Jetson Orin Nano 4GB | None        | 256GB   |
| DX-U2100-2M0723   |                      |             | 512GB   |
| DX-U2100-2M0823   |                      |             | 1TB     |
| DX-U2100-4G2M0623 |                      | 4G LTE CAT4 | 256GB   |
| DX-U2100-4G2M0723 |                      |             | 512GB   |
| DX-U2100-4G2M0823 |                      |             | 1TB     |
| DX-U2100-3M0623   | Jetson Orin Nano 8GB | None        | 256GB   |
| DX-U2100-3M0723   |                      |             | 512GB   |
| DX-U2100-3M0823   |                      |             | 1TB     |
| DX-U2100-4G3M0623 |                      | 4G LTE CAT4 | 256GB   |
| DX-U2100-4G3M0723 |                      |             | 512GB   |
| DX-U2100-4G3M0823 |                      |             | 1TB     |
| DX-U2200-3M0623   | Jetson Orin NX 8GB   | None        | 256GB   |
| DX-U2200-3M0723   |                      |             | 512GB   |
| DX-U2200-3M0823   |                      |             | 1TB     |
| DX-U2200-4G3M0623 |                      | 4G LTE CAT4 | 256GB   |
| DX-U2200-4G3M0723 |                      |             | 512GB   |
| DX-U2200-4G3M0823 |                      |             | 1TB     |
| DX-U2200-4M0623   | Jetson Orin NX 16GB  | None        | 256GB   |
| DX-U2200-4M0723   |                      |             | 512GB   |
| DX-U2200-4M0823   |                      |             | 1TB     |
| DX-U2200-4G4M0623 |                      | 4G LTE CAT4 | 256GB   |
| DX-U2200-4G4M0723 |                      |             | 512GB   |
| DX-U2200-4G4M0823 |                      |             | 1TB     |