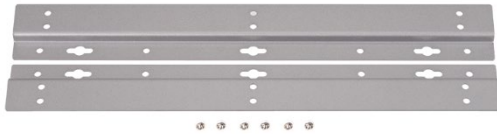


Wall Mount Bracket for Expansion Chassis(Short size)
ECH-WM-FIX-H
 Wall Mount Bracket for Expansion Chassis (Long size)
ECH-WM-FIX-F

ECH-WM-FIX-H



ECH-WM-FIX-F



* Specifications, color and design of the products are subject to change without notice.

Specifications

Item	ECH-WM-FIX-H	ECH-WM-FIX-F
Weight	300g	450g
Standard	CE Marking (RoHS Directive), UKCA	

Included Items

- Product ... 2
- M3 x 6 sems screw
- ECH-WM-FIX-H... 4
- ECH-WM-FIX-F... 6

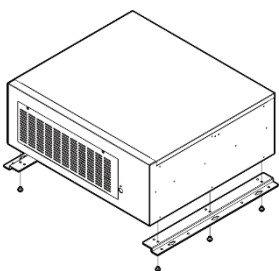
Correspondence Table

	ECH-WM-FIX-H	ECH-WM-FIX-F
ECH-PCI-BE3-H7A	○	
ECH-PCI-BE3-F7A	×	○
ECH-PCI-BE3-F13A	×	○
ECH-PCI-DE2-F13A	×	○

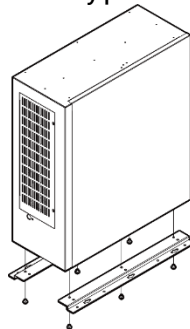
Component Name

- Bracket is fixed to the Chassis with an attached M3 x 6 sems screws.
- Then, fix the Chassis anywhere you like by screwing the attached M3 x 6 sems screws into the holes at the four corners of products.

Horizontally placed



Vertically placed

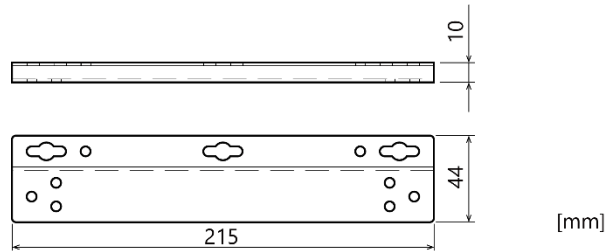


This is a Wall Mount Bracket to fix CONTEC Expansion Chassis Series. Using this bracket, you can fix the Chassis anywhere you like with somescrews.

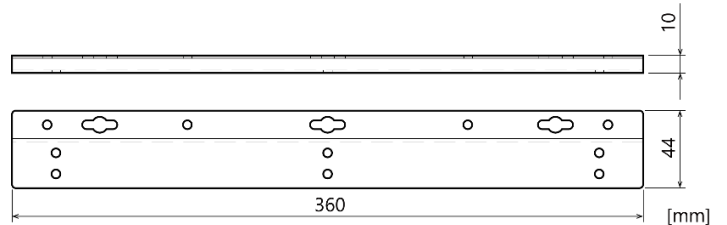
- * The contents in this document are subject to change without notice.
- * Visit the CONTEC website to check the latest details in the document.
- * The information in the data sheets is as of September, 2023.

External View and Dimensions

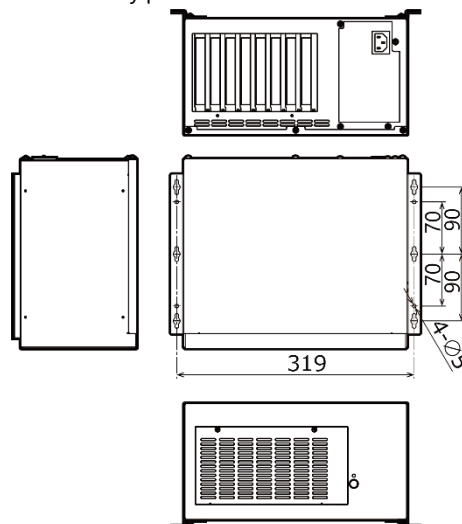
ECH-WM-FIX-H



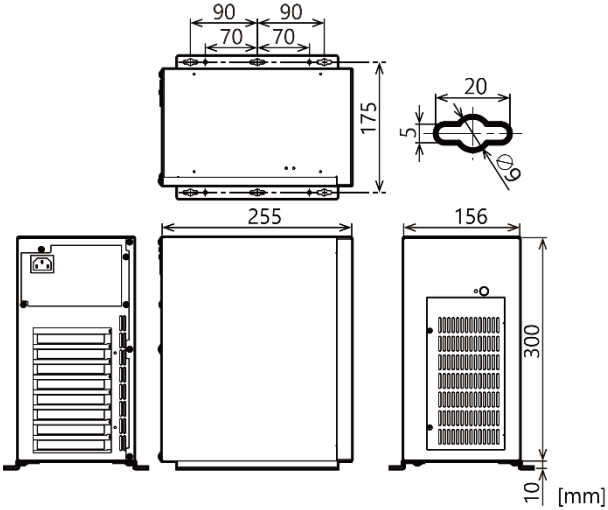
ECH-WM-FIX-F



ECH-PCI-BE3-H7A
 - Horizontally placed

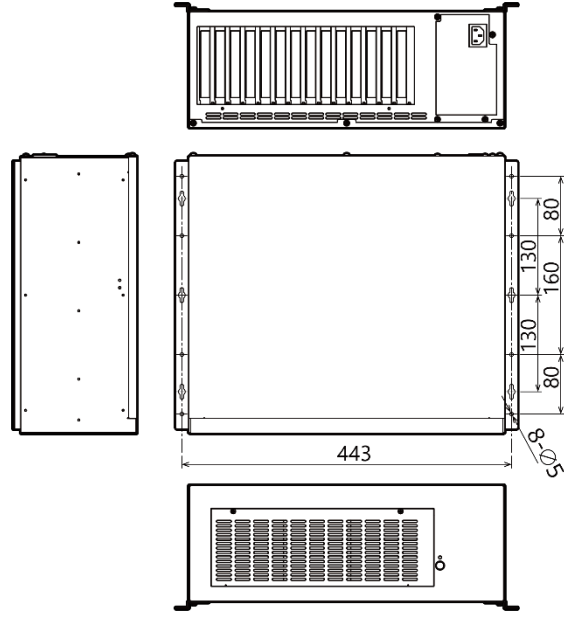


- Vertically placed



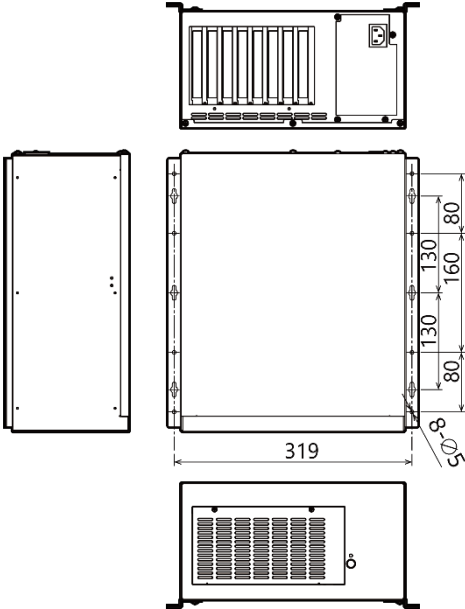
ECH-PCI-BE3-F13A, ECH-PCI-DE2-F13A

- Horizontally placed

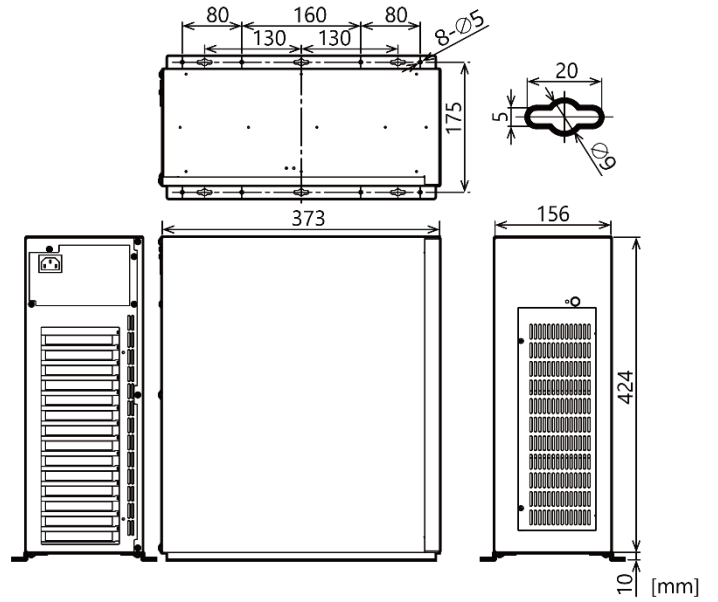


ECH-PCI-BE3-F7A

- Horizontally placed



- Vertically placed



- Vertically placed

