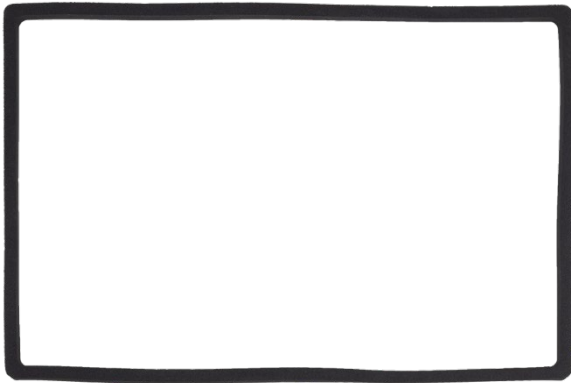


FPD-V11WB-10 Gasket for Outer Mount  
**FPD-GSK11W-OMNT**



**Specifications**

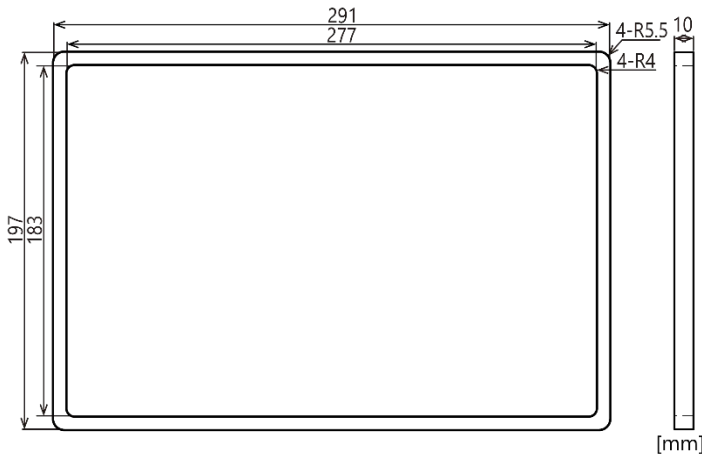
**Function specification**

Item	○○○○○○○○
Physical dimensions (mm)	291(W)×197(H)

**Included Items**

Waterproof gasket ... 1

**Physical Dimensions**

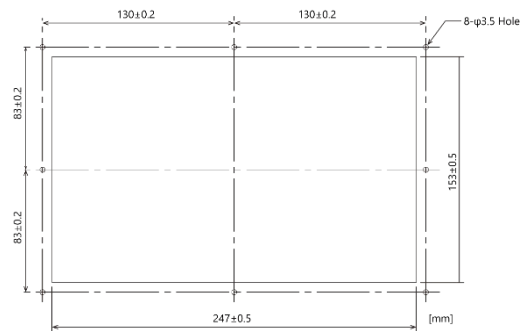


Waterproof gasket to be used when mounting FPD-V11WB-10 from the outside of the panel.

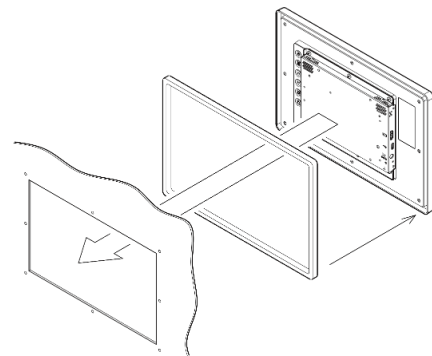
- \* Specifications, color and design of the products are subject to change without notice.
- \* The contents in this document are subject to change without notice.
- \* Visit the CONTEC website to check the latest details in the document.
- \* The information in the data sheets is as of January, 2025.

**Installing the Outer Mount**

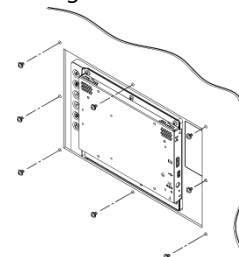
- 1 Cut out a panel according to the following dimensions to mount the main unit.



- 2 Insert the main body into the panel from the external side. To ensure sufficient dustproof and drip-proof performance, install the optional waterproof gasket by fitting it into the groove of the main unit.



- 3 Hold the attachment fittings from the inside of the panel.



**CAUTION**

Overtightening screws may result in damage.  
 Proper tightening torque for splash-proof is 0.6N□m.  
 The included screws can be used for mounting on a panel with a thickness of 1 to 2 mm. When mounting the product to a panel with a different thickness, use different screws of the appropriate length. When selecting a screw length, be sure that the screw does not penetrate more than 3 mm from the enclosure surface to the inside.