

Flat Panel Display 11.6"
FPD-V11WB-10



This product is an LCD for use in combination with a host computer such as Contec's IPC Series.

- * Specifications, color and design of the products are subject to change without notice.
- * The contents in this document are subject to change without notice.
- * Visit the CONTEC website to check the latest details in the document.
- * The information in the data sheets is as of January, 2025.

Features

- **HDMI and USB Type-C (DP Alt mode) input support**
This product supports HDMI and USB Type-C (DP Alt mode) input.
- **USB PD support**
This product supports USB PD (Power Delivery), enabling video input, touch panel communication, and power supply simultaneously with a single cable when connected to a compatible PC.
- **Host PC power supply interlock function**
When connected to an LPC-400 FA computer via HDMI, the connected PC can be turned on or off in conjunction with the power status of this product.

* Support may vary depending on the time the product was sold. Contact your retailer for more information.

Included Items

- Product...1
- AC adapter...1
- AC power cable(100VAC, 3pin) *1, *2...1
- USB cable(C-C/1.8m)...1
- USB cable(C-A/1.8m)...1
- HDMI cable(1.8m)...1
- Switch cover...1
- Cable camp...1
- Washer assembled screw(M3x5)...8
- Screws for switch cover...2
- Product guide...1

- *1 This AC power cable is for the voltage of the 100VAC or less. It might be necessary to get a particular cable to match the power voltage or outlet shape that you are using.
- *2 Do not use this AC power cable with any devices except for a supplied AC adapter.

Optional Products

Item	Model	Description
FPD-V11WB-10 Gasket for Outer Mount	FPD-GSK11W-OMNT	For outer mount
FPD-V11WB-10 Fixing bracket for Inner Mount	FPD-BKT11W-IMNT	For inner mount
AC adapter	PWA-36AWD2	Switching AC adapter 12V 3.0A

CAUTION

If a product other than our optional one is used, the normal operation may be impaired or the functions may be limited.

Specifications

Function specification

Item	Description	
Assembly type	VESA, Outer Mount*1, Inner Mount *2	
LCD type	LCD	11.6-inch TFT color LCD, Full HD(1920 x 1080), 16,770,000 colors
	Backlight	LED method
Touch-screen	Detection method	Capacitive type, 10-point touch
	Connection	USB port
Input Terminal	DisplayPort	USB Type C(DisplayPort Alternate Mode supported)
	HDMI	HDMI Type A connector x1
Speaker	1.0W x 2	
Power Management	PC power supply interlock via HDMI-CEC (when connected to a supported PC via HDMI)	
Power supply	Rated input voltage	DC Jack 12V±5% USB Type-C Power Delivery 15W supported *3
	Range of input voltage	11.4 – 12.6VDC
	Power consumption	12V 0.5A(Max.)
Panel cut Dimensions (mm)	Outer Mount	247(W)×153(H)
	Inner Mount	263.4(W)×151.2(H)
Physical dimensions (mm)	295(W) x 26(D) x 201(H) (Not including the protrusions)	
Weight	1.0kg (approx.) (Not including the attachment fittings)	

- *1 The waterproof gasket (sold separately) is required to meet IP65 requirements when the Outer Mount is installed.
- *2 A special metal fitting (sold separately) and the waterproof gasket (sold separately) are required when the Inner Mount is installed.
- *3 For received power only. Power supply to the host PC is not supported.

Environment Requirements

Item	Description	
Operating Temperature	0 - 40°C	
Storage Temperature	-10 - +50°C	
Humidity	10 - 90%RH (No condensation) (Max. wet bulb temperature: 39°C)	
Floating dust particles	Not to be excessive	
Corrosive gases	None	
Line-noise resistance	Line noise	AC Line /±2kV *4 (IEC61000-4-4 Level 3)
	Static electricity resistance	Contact discharge /±4kV (IEC61000-4-2 Level 2, EN61000-4-2 Level 2) Air discharge /±8kV (IEC61000-4-2 Level 3, EN61000-4-2 Level 3)
Vibration resistance	Sweep resistance	10 - 57Hz /semi-amplitude vibration 0.075mm, 57 - 150Hz/1.0G 40minutes each in X, Y, and Z directions (JIS C60068-2-6-compliant, IEC60068-2-6-compliant)
Impact resistance	10G half-sine shock for 11ms in X, Y, and Z directions (JIS C 60068-2-27-compliant, IEC 60068-2-27-compliant)	
Waterproofing and dust-proofing	With VESA mount and Outer Mount installed: IP65-compliant (front only) *1 Inner Mount: IPX5-compliant (front only) *2	
Grounding	Class D grounding, SG-FG / continuity	
Standard	VCCI Class A, FCC Class A, CE Marking (EMC Directive Class A, RoHS Directive), UKCA	

- *1 The waterproof gasket (sold separately) is required to meet IP65 requirements when the Outer Mount is installed.

- *2 A special metal fitting (sold separately) and the waterproof gasket (sold separately) are required when the Inner Mount is installed.
- *4 It is when the product is used with AC adapter PWA-36AWD2.

AC Adapter Specifications

Item	Description
Rated input voltage	100 to 240VAC (continuous input), 50 to 60Hz
Permissible input voltage	90 to 264VAC (continuous input), 47 to 63Hz
Input current	1.8A (Max.)
Rated output voltage	+12VDC \pm 5%
Rated output current	3A (Max.)
Permissible momentary blackout	5ms or less
Dielectric strength (between Input P and S)	3.0kVAC for one minute
Insulation resistance (between P and S)	Greater than 50M Ω (500VDC)
Length of cable	AC Power cable: 1.8m, DC cable: 1.2m
Input Plug Shape	AC Code : IEC60320-C5, AC Adapter Inlet : IEC60320-C6
Physical dimensions (mm)	37.8 (W) x 89.8 (D) x 27.0 (H) (not include projection of cable)
Weight	Main body: 150g, AC power cable: 180g
MTBF *5	100,000H (temperature 25°C)
Longevity *5	1.2 years (temperature 25°C, 100VAC, with full load) 5.2 years (temperature 25°C, 100VAC, with half load)

*5 Estimates of MTBF and Longevity are not guaranteed but are for reference only.

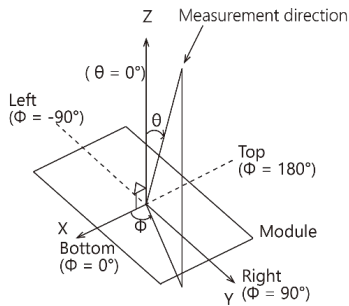
Display Optical Specifications

Parameter	Condition	Min.	Typ.		
Visual angle (vertical)	CR \geq 10	Display, Monochrome	85deg	$\Phi = 180^\circ$	89deg
				$\Phi = 0^\circ$	89deg
$\Phi = +90^\circ$				89deg	
$\Phi = -90^\circ$				89deg	
Visual angle (horizontal)					
Surface brightness (at center)	Display in white	255cd/m ²	300cd/m ²		

* "Surface brightness" represents a numerical value per display. The expected brightness through a touch screen is about 80% lower than the above value.

$$\text{Contrast ratio (CR)} = \frac{\text{Brightness at screen center with white displayed}}{\text{Brightness at screen center with black displayed}}$$

Visual Range Definition

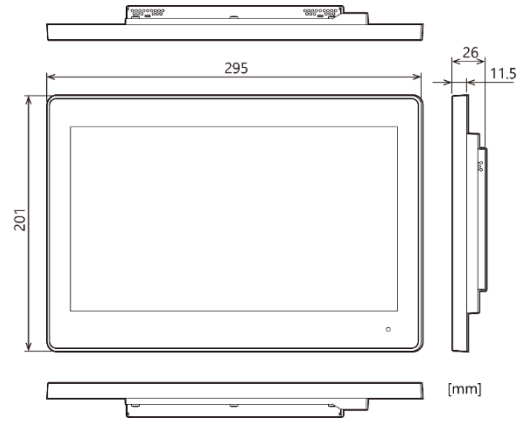


CAUTION

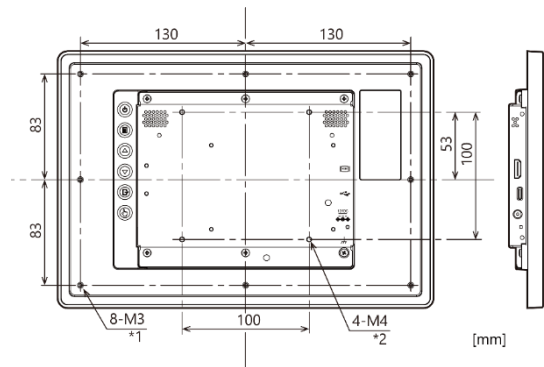
The above optical specification data shows optical characteristics of the liquid crystal in the display; the data does not represent the actual view on the display or its viewing angles.

Physical Dimensions

Front



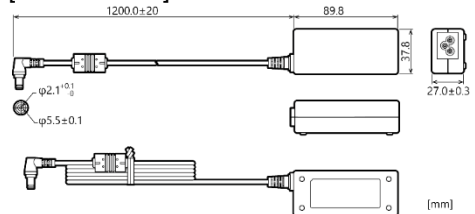
Rear



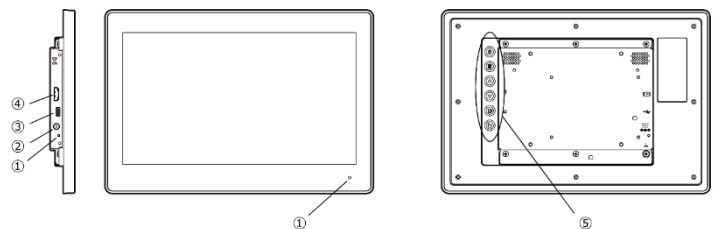
*1 The screw tips must not penetrate more than 3 mm from the surface of the cabinet.

*2 The screw tips must not penetrate more than 5 mm from the surface of the cabinet.

AC adapter [PWA-36AWD2]



Nomenclature of Product Components



No.	Name	Function
1	POWER LED	Power ON display LED
2	DC-IN	DC power input connector
3	USB TYPE-C	USB Type-C port connector
4	HDMI	HDMI port connector
5	OBTN	Operational button