

FA-PC
LPC-200A Series



Features

- Uses 8th generation Core i5, i3, and Celeron processors

The LPC-200A series is equipped with power-saving and high-performance CPUs, providing advanced computing and graphical performance even with minimal power requirements. Reliable supply is ensured by the adoption of embedded CPUs.

- Various, extendable interfaces are provided

Unique to an industrial-use PC, various, extendable interfaces including 1000BASE-T×2 (or 1), wireless LAN (optional), USB3.2 Gen1×2, USB2.0×4, and serial (RS-232C)×1 are provided.

- New structure housing for high performance CPU

A heat pipe and a thin CPU fan are adopted to set the high performance CPU in a limited space. The cooling structure of the duct structure that separates the air flow to the PC prevents dust and foreign matter to be inhaled into the PC. The clamshell open / close mechanism is used to access the inside a PC easily. Adding memory or performing maintenance can be done.

- Long-term product availability contributes to low-cost operation

In addition to the industrial display monitor, taking up CPU configurations can contribute to longer-term product availability.

This frees the users from operation checks or device structure changes each time PC models changes, and it also reduces the running costs of development or verification.

- Pre-installation of OS to support the latest integrated type

You can select whether to pre-install Windows 10 IoT Enterprise 2019 LTSC 64-bit edition that supports Japanese, English, Chinese, or Korean. Unlike Windows10 commonly used, long-term availability with the same specifications are guaranteed. Moreover, Write Filter, one of the additional functions, enables the system to operate with Read-only.

Included Items

- Product...1
- AC Adapter for PC...1
- AC Power Cable For PC...1
- Wireless LAN Antenna...1 *1
- Cable Tie...2
- Brackets (with four screws)...1 *2
- Vertical orientation stand bracket (with two screws)...1 *2
- Product Guide...1

*1 Packed in the wireless LAN installed type
*2 Packed items vary depending on the selection

This product is a high-performance embedded-type personal computer equipped with the 8th-generation Intel® Core™ processor.

Embedded-type chipset and CPU have been adopted. The use of readily available parts ensures the ease of the use of the product.

The use of a clamshell open/close mechanism gives this product a structure that makes it easy to perform maintenance such as adding memory.

- * The contents in this document are subject to change without notice.
- * Visit the CONTEC website to check the latest details in the document.
- * The information in the data sheets is as of October 2022.

Specification

Function Specifications

Item	LPC-200A	
CPU [Selection] *1	Intel® Core™ i5-8500T Processor (2.1GHz 6 core /6-thread) Intel® Core™ i3-8100T Processor (3.1GHz 4 core /4-thread) Intel® Celeron® G4900T Processor (2.9GHz 2 core /2-thread)	
Main memory [Selection] *1	Max. 16GB, 260-pin SO-DIMM Socket x 2, PC4-21333(DDR4-2666) DDR4 SDRAM 8GB : 8GB DDR4-2666 SO-DIMM(Non-ECC) x 1 16GB : 8GB DDR4-2666 SO-DIMM(Non-ECC) x 2	
Storage [Selection] *1	2.5" SATA 500GB HDD 2.5" SATA SSD 128GB 2.5" SATA SSD 256GB 2.5" SATA SSD 512GB 2.5" SATA SSD 1024GB M.2 SSD 128GB	
Graphics	CPU built-in	Intel® UHD graphics 630 / 610
	Video memory/ standard-resolution	Share with the main memory / 800×600 - 1,920×1,080 (digital)/ 16,770,000 colors
External interface	LAN A	1 x 1000BASE-T/100BASE-TX/10BASE-T (Wake On LAN support)
	LAN B [Selection] *1	1 x 1000BASE-T/100BASE-TX/10BASE-T *2
	Wireless LAN [Selection] *1	Wireless LAN IEEE 802.11 ac / a / b / g / n
	USB	2 x USB 3.2 Gen 1 standard, 4 x USB 2.0 standard
	RS-232C	1 x RS-232C 9-pin D-SUB connector (male) Baud rate: 50 - 115,200bps
	Display	1 x HDMI, 1 x DisplayPort
Power supply (Bundled AC adapter)	Rated power supply input voltage	100 - 240VAC
	Range of input voltage	90 - 264VAC
	Power consumption	79W
	External device power supply capacity	USB3.2: +5VDC 1.8A (900mA x 2) USB2.0: +5VDC 2.0A (500mA x 4)
Physical dimensions (mm)	220(W) x 291(D) x 40(H) (No protrusions)	
Weight	2.6kg (Excluding AC adapter)	
Operating system	Windows 10 IoT Enterprise 2019 LTSC 64-bit (Japanese/English/Chinese/Korean) Windows 10 IoT Enterprise 2019 LTSC 64-bit with Microsoft Edge (Chromium) (Japanese/English/Chinese/Korean)	

*1 The type of CPU, memory, and storage are selectable. Additional LAN is available.
*2 Storage [M.2 SSD 128GB] is unavailable when wire-LAN is selected for additional LAN.

Ambient specifications

Item	Description
Operating temperature	5 - 40°C
Operating Humidity	20 - 80%RH (No condensation)
Storage temperature	-20 - +60°C
Operating Humidity	5 - 80%RH (No condensation)
Floating dust particles	Not to be excessive
Corrosive gases	None
Line-noise resistance	Line noise AC line/±2KV, Signal line/±1KV (EN61000-4-4 Level3, IEC61000-4-4 Level3)
	Static electricity resistance Contact discharge / ±4kV (IEC61000-4-2 Level 2, EN61000-4-2 Level 2) Atmospheric discharge / ±8kV (EN61000-4-2 Level 3, IEC61000-4-2 Level 3)
Vibration resistance *3	Sweep resistance 10 - 57Hz / semi-amplitude: 0.075 mm, 57 - 150Hz/9.8m/s ² (1G), 40 min. each in x, y, and z directions (JIS C60068-2-6 -compliant, IEC60068-2-6 -compliant)
Shock resistance *3	10G, half-sine shock for 11 ms in x, y, and z directions (JIS C60068-2-27-compliant, IEC60068-2-27-compliant)
Standard	VCCI Class A, FCC Class A, CE Marking (EMC Directive Class A, RoHS Directive) *4, UKCA

*3 This only applies when the product is installed horizontally (regardless of brackets).

*4 The wireless LAN installed type is not certified for CE Marking.

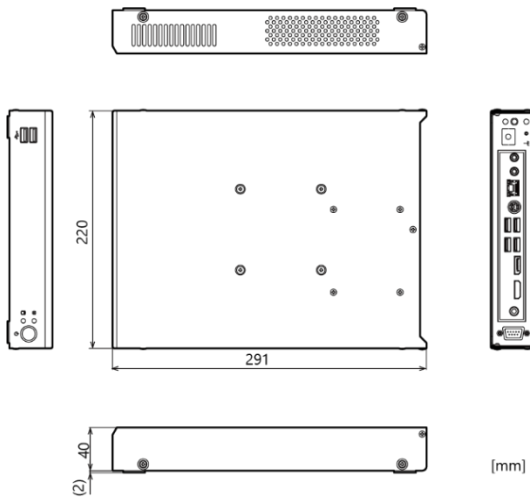
Replacement Parts for Maintenance

Parts name	Type	Description
CPU Cooling Fan	SPT-200A-FAN	CPU fan for maintenance of STAND-PC and thin EPC units SPT-200A Series CPU FAN Unit
Hard Disk	SSD-128GS-2T	SSD for maintenance of setup products 2.5inch 128GB SATA SSD
	HDD-500GS-2	HDD for maintenance of setup products 2.5inch 500GB SATA HDD

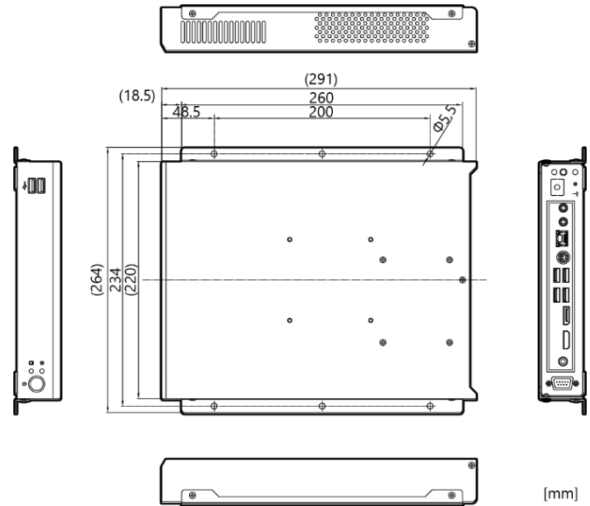
* Visit the CONTEC website for the latest Replacement Parts for Maintenance.

Physical Dimension

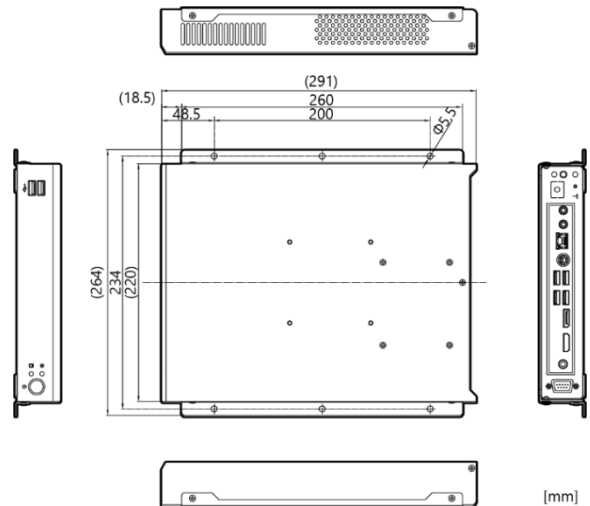
PC only



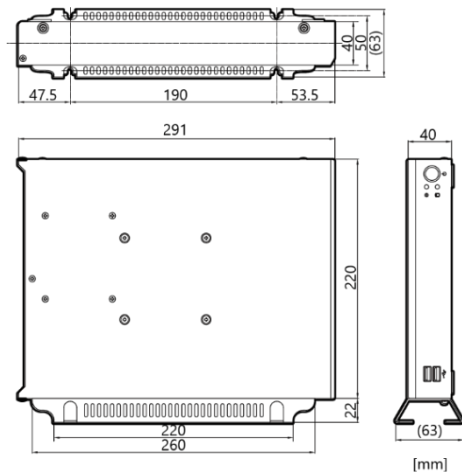
When a bracket is attached to the PC



When a bracket is attached to the PC

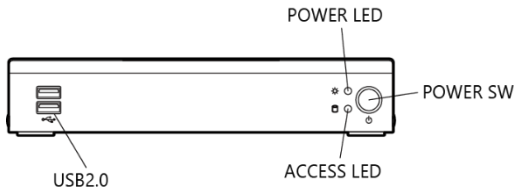


When a vertical orientation stand bracket is attached

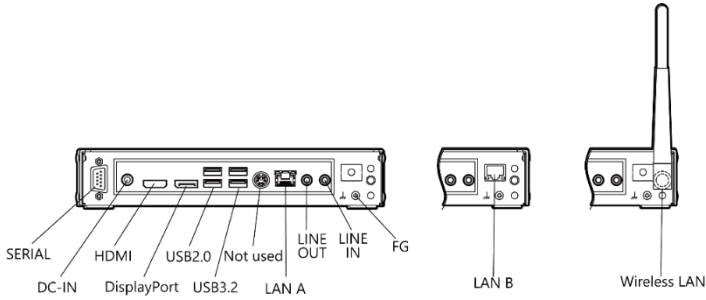


Nomenclature of Product Components

Front View



Rear View



Component Function

Name	Function
Front	
USB2.0	USB2.0 port TYPE-A connector x 2
POWER LED	PC power display LED
ACCESS LED	Disk access display LED
POWER SW	PC power switch
Rear	
SERIAL	Serial port connector (9-pin D-SUB Male)
DC IN	DC power input connector
HDMI	Display (19-pin HDMI TYPE-A connector)
DisplayPort *1	DisplayPort connector (20-pin Female)
USB2.0	USB2.0 port TYPE-A connector x 2
USB3.2	USB3.2 Gen1 port TYPE-A connector x 2
LAN A	Ethernet 1000BASE-T/100BASE-TX/10BASE-T RJ-45 connector
LINE OUT	Line out (3.5p PHONE JACK)
LINE IN	line input (3.5p PHONE JACK)
FG	Frame ground
LAN B (Selection) *2	Ethernet 1000BASE-T/100BASE-TX/10BASE-T RJ-45 connector
Wireless LAN (Selection)	Antenna for Wireless LAN IEEE 802.11 ac/a/b/g/n

*1 Use this to display two screens.

*2 Storage [M.2 SSD 128GB] is unavailable when you select LAN B (wired LAN).

Product Lineup

The product provides the BTO style, and the items such as CPU, memory, storage, wired-LAN, and Wifi can be customized as required.

Model Name
LPC-200A

Type Name
A X X - X X X X X X 0

CPU Memory SATA1 SATA2 Optional Wired-LAN Wifi slot OS Optional items

No.	Item	Description	
1	CPU	1	Core i5 8500T
		2	Celeron G4900T
		3	Core i3 8100T
2	Memory	1	8GB (8GB x 1)
		2	16GB (8GB x 2)
3	SATA1	1	500GB 2.5-inch HDD
		A	128GB 2.5-inch SSD (TLC)
		B	128GB M.2 SSD (TCL)
		C	256GB 2.5-inch SSD (TLC)
		D	512GB 2.5-inch SSD (TLC)
		E	1024GB 2.5-inch SSD (TLC)
4	SATA2	1	500GB 2.5-inch HDD
		A	128GB 2.5-inch SSD (TLC)
		B	128GB M.2 SSD(TCL)
		C	256GB 2.5-inch SSD (TLC)
		D	512GB 2.5-inch SSD (TLC)
		E	1024GB 2.5-inch SSD (TLC)
5	Optional wired-LAN	0	None
		1	Wired Giga LAN
6	Wi-Fi slot	0	None
		1	802.11 ac/b/g/n
7	OS	None	None
		1	Windows 10 IoT Enterprise 2019 LTSC 64bit (Japanese/English/Chinese/Korean)
		A	Windows 10 IoT Enterprise 2019 LTSC 64bit with Microsoft Edge (Chromium) (Japanese/English/Chinese/Korean)
8	Optional items	-*1	Vertical Stand
		-*1	-
		-*1	Partition Selecting Service
		-*1	Brackets

*1 These vary depending on the selected options.