

19 inch rack mount type
Custom Computers Solution-ePC Series
MR4100



* Specifications, color and design of the products are subject to change without notice.

Features

High-power, 4U rack-mounted PC

This product is an EIA 19 rack-mounted (4U) industrial computer compatible with 10th generation Intel® Core™ processors (Comet Lake-S).

It is ideal for fields requiring advanced multiprocessing such as semiconductor manufacturing equipment, inspection equipment, social infrastructure, and medical equipment.

Can house up to seven function expansion cards

This product is equipped with one PCI Express 3.0(x16), one PCI Express 3.0(x8), two PCI Express 3.0(x4), and three PCI expansion slots.

It can house the signal input and output required for measurement control systems as well as multiple expansion interface cards required for AI/ML workloads and machine vision.

Function expansion via M.2 modules is also possible.

* When using the PCI Express 3.0(x8) slot, the PCI Express 3.0(x16) slot needs to be set to PCI Express 3.0(x8).

Equipped with various expansion interfaces

This product is equipped with various expansion interfaces including one 2.5 Gigabit LAN port, one Gigabit LAN port, 10 USB ports, five COM communication ports, and video output ports (DisplayPort, HDMI, and analog RGB).

In addition, M.2 sockets such as 1× M.2 M-key 2242/2280, 1× M.2 E-key 2230, and 1× M.2 B-key 3042/3052 are equipped, allowing the use of M.2 modules such as M.2 SSDs.

Supports Windows 11 IoT Enterprise LTSC 2024 in multiple languages

Windows 11 IoT Enterprise LTSC 2024, an OS designed for specific applications, can be selected in one of four languages: English, Japanese, Chinese, and Korean.

This OS can be used as a long-term fixed version with no function updates.

The built-in lockdown function allows users to limit writing to storage.

MIRACLE LINUX 9.0 support

Cybertrust MIRACLE LINUX 9.0, a clone of RHEL (Red Hat Enterprise Linux) developed in Japan, can be selected.

A support menu (purchase required) equivalent to MIRACLE LINUX Standard Support is provided as an OEM license.

(Japanese version only)

This product is a 19-inch rack-mount industrial-use PC that supports the 10th (Comet Lake-S) of Intel® Core™ series and contains the W480E chipset. In addition to a wide range of interfaces, expansion slots of PCI bus x 3, PCI Express 3.0(x16) bus x 1, or PCI Express 3.0(x8) x 1, PCI Express 3.0(x4) x 2 bus are equipped. A reliable, Japan-made power supply can be selected. A power supply equipped with a nickel metal hydride battery, for optimal countermeasures against momentary and prolonged power outages, and a 1000 W power supply that supports high-end GPU cards are also available. *1
Solution-ePC is an industrial-use computer that offers BTO (Build to Order) specifications to suit the requests of customers. Only carefully selected components offering high reliability and stable supply are used, making the product suitable for industrial use.

*1 The nickel metal hydride battery and 1000W power supply cannot be selected if the UL-certified type or CCC-certified type is selected.

* The contents in this document are subject to change without notice.

* Visit the CONTEC website to check the latest details in the document.

* The information in the data sheets is as of April 2025.

Specifications

Function specification

Item	Description	
CPU [Selection]	Intel® Xeon W-1290TE Processor 1.8GHz Intel® Core i9-10900E Processor 28GHz Intel® Core i7-10700E Processor 29GHz Intel® Core i5-10500E Processor 3.1GHz Intel® Core i3-10100E Processor 3.2GHz/ECC	
Chip set	Intel® W480E	
BIOS	BIOS (mfd. by AMI)	
Memory [Selection]	Max. 128GB Core i9 / i7: 8GB: 8GB DDR4 2933MHz x 1 Non-ECC 16GB: 8GB DDR4 2933MHz x 2 Non-ECC 32GB: 16GB DDR4 2933MHz x 2 Non-ECC 64GB: 16GB DDR4 2933MHz x 4 Non-ECC 128GB: 32GB DDR4 2933MHz x 4 Non-ECC Core i5: 8GB: 8GB DDR4 2666MHz x 1 Non-ECC 16GB: 8GB DDR4 2666MHz x 2 Non-ECC 32GB: 16GB DDR4 2666MHz x 2 Non-ECC 64GB: 16GB DDR4 2666MHz x 4 Non-ECC 128GB: 32GB DDR4 2666MHz x 4 Non-ECC Core i3: 8GB: 8GB DDR4 2666MHz x 1 ECC 16GB: 8GB DDR4 2666MHz x 2 ECC 32GB: 16GB DDR4 2666MHz x 2 ECC 64GB: 16GB DDR4 2666MHz x 4 ECC 128GB: 32GB DDR4 2666MHz x 4 ECC	
NVMe [Selection]	256GB: NVMe 2280 SSD 256GB 512GB: NVMe 2280 SSD 512GB 1TB: NVMe 2280 SSD 1TB 2TB: NVMe 2280 SSD 2TB	
Graphic		
Controller	Intel® UHD Graphics 630 (CPU integrated)	
System Resolution	HDMI	800 x 600, 1,024 x 768, 1,152 x 864, 1,280 x 600, 1,280 x 720, 1,280 x 768, 1,280 x 800, 1,280 x 960, 1,280 x 1,024, 1,360 x 768, 1,366 x 768, 1,400 x 1,050, 1,440 x 900, 1,600 x 900, 1,600 x 1,200, 1,680 x 1,050, 1,792 x 1,344, 1,856 x 1,392, 1,920 x 1,080, 1,920 x 1,200, 1,920 x 1,440, 2,048 x 1,152, 2,048 x 1,536, 2,560 x 1,600, 2,560 x 1,920, 2,560 x 2,048, 3,840 x 2,160 (16,770,000 colors)
	DisplayPort	800 x 600, 1,024 x 768, 1,152 x 864, 1,280 x 600, 1,280 x 720, 1,280 x 768, 1,280 x 800, 1,280 x 960, 1,280 x 1,024, 1,360 x 768, 1,366 x 768, 1,400 x 1,050, 1,440 x 480, 1,440 x 576, 1,440 x 900, 1,600 x 900, 1,600 x 1,200, 1,680 x 1,050, 1,792 x 1,344, 1,856 x 1,392, 1,920 x 1,080, 1,920 x 1,200, 1,920 x 1,440, 2,048 x 1,152, 2,048 x 1,536, 2,560 x 1,440, 2,560 x 1,600, 2,560 x 1,920, 2,560 x 2,048, 3,840 x 2,160 (16,770,000 colors)
	Analog RGB	800 x 600, 1,024 x 768, 1,152 x 864, 1,280 x 600, 1,280 x 720, 1,280 x 768, 1,280 x 800, 1,280 x 960, 1,280 x 1,024, 1,360 x 768, 1,366 x 768, 1,400 x 1,050, 1,440 x 900, 1,600 x 900, 1,680 x 1,050, 1,920 x 1,080 (16,770,000 colors)
Storage [Selection]	SATAIII 3.5-inch HDD 2TB SATAIII 3.5-inch HDD 4TB SATAIII 2.5-inch SSD 256GB SATAIII 2.5-inch SSD 512GB SATAIII 2.5-inch SSD 1TB Hardware RAID (Mirroring) Software RAID (Mirroring)	
Optical Drive [Selection]	DVD Super Multi Drive or DVD slim multi drive	
Interface	Display Analog RGB x 1, HDMI x 1, DisplayPort x 1	

Item	Description
USB	A-Type connector Front : USB 2.0 x 2 ports Rear : USB 3.2 Gen2 (USB 3.1) x 4 ports , USB 2.0 x 2 ports
Audio	HD Audio compliant, 3.5p stereo mini jack Rear : LINE OUT x 1, LINE IN x 1, MIC IN x 1
Serial	9pin D-SUB connector(male) x 1 (RS-232C/422A/485 x 1) RS-232C x 4 (Internal connector) Baud rate : 50 - 115,200bps
LAN	2ports (RJ-45 connector) 1000BASE-T/100BASE-TX/10BASE-T, Wake On LAN * LAN-B supports speeds up to 2.5 Gbps. * To use this product at 2.5 Gbps, implement thorough noise countermeasures.
M.2	- M.2 M-keysocket 2242/2280 x 1 (PCI Express +SATA) - M.2 E-key socket 2230 x 1 (PCI Express +USB 2.0) - M.2 B-keysocket 3042/3052 x 1 (USB 3.1+Nano SIM)
Expansion Slot [Selection]	- PCI Express 3.0(x16)/(x8) slot x 1 * Switched with the jumper Usable card dimension: Max. 312mm(L) x 111.15mm(H) - PCI Express 3.0(x4) slot x 2 Usable card dimension: Max. 307mm(L) x 111.15mm(H) - PCI Express 3.0(x8) slot x 1 *Not usable when PCI Express 3.0(x16) selected Usable card dimension: Max. 307mm(L) x 111.15mm(H) - PCI slot x 3 Usable card dimension: Max. 307mm(L) x 107mm(H)
USB Card *7 [Selection]	Slot3 : PCI Express 3.0(x4) slot mounted - USB Card (USB 3.1 Gen1 8port)
LAN Card *7 [Selection]	Slot3 : PCI Express 3.0(x4) slot mounted - PoE LAN Card (4port) - PoE LAN Card (2 port) - PoE LAN Card+surge protection(4 port)
RAS	WDT: 1sec - 255 sec (Causes a reset upon time-out) Remote reset / Remote power on, External input signal Monitoring function (fan speed, CPU temperature, voltage data readout)
Security (TPM)	TCG TPM2.0
RTC/CMOS	The real-time clock is accurate within ±3 minutes (at 25°C) per month Lithium backup battery life : 7 years or more
Supportable OS *4 [Selection]	None Windows 10 IoT Enterprise 2021 LTSC 64bit (Japanese / English / Chinese / Korean) Windows 10 IoT Enterprise 2019 LTSC 64bit (Japanese / English / Chinese / Korean) Windows 11 IoT Enterprise LTSC 2024 (Japanese / English / Chinese / Korean) MIRACLE LINUX 9.0 *3
Power Supply *5	Japan-made 520W ATX power supply (50/60Hz Input auto switching) Japan-made 520W ATX power supply Supports UPS nickel metal hydride battery (50/60Hz Input auto switching) Non-Japan-made 500W ATX power supply (50/60Hz Input auto switching) High-capacity specifications made in Japan 1000W ATX power supply (50/60Hz Input auto switching)
Rated input voltage	100 - 240VAC
Range of input voltage	90 - 264VAC
Power consumption	With 1000 W power supply : 6.5A (100VAC) (Max) * Current when using the included output harnesses and applying an internal load of 25 A With 500/520 W power supply : 2.8A (100VAC) (Max)
External device power supply capacity	USB 2.0 : 5V 0.5A x 4 2.0A USB 3.1 : 5V 0.9A x 4 5.4A PCI-Express 3.0(x16) slot : 3.3V 3A, 12V 5.5A PCI-Express 3.0(x4) slot : 3.3V 3A, 12V 2.1A (2 slots total) Expansion PCI : 3.3V 2A, 5V 2A, 12V 0.5A (3 slots total)
Physical dimensions (mm)	430(W) x 445(D) x 177(H) (Excluding Front Bezel)
Weight *2	15.6Kg (approx.) (500W power supply, HDD x 2 (Removable), optical drive configuration) *2

- *1 If the expansion card is wider than 187.1 mm, it may cover the adjacent PCI-Express 3.0(x4) bus, limiting the available PCI-Express 3.0(x4) buses to two slots.
(Example: The adjacent PCI-Express 3.0(x4) bus cannot be used with a dual-slot graphics card. Depending on the card being installed, the adjacent bus may also not be usable with some single-slot graphics cards).
- *2 The weight (which does not include accessories) may vary depending on the product configuration.
- *3 With MIRACLE LINUX 9.0, the language and keyboard layout are set to Japanese in the default setup.
- *4 "None" for the OS option cannot be selected if the CCC-certified type is selected.
- *5 The Japan-made 520W ATX power supply (50/60Hz Input auto switching) will be used if the UL-certified type or CCC-certified type is selected.
- *6 No optical drive will be installed if the UL-certified type or CCC-certified type is selected. You cannot select one of the optical drives listed here.
- *7 The only standard for LAN card or USB card embedded type is VCCI.

Environment Requirements

Item	Description	
Operating ambient temperature	5 - 40°C	
Non-operating ambient temperature	-20 - +60°C * With nickel metal hydride battery : 0 - 50°C	
Humidity	20 - 80%RH (No condensation)	
Floating dust particles	Not to be excessive	
Corrosive gases	None	
Line-noise resistance	Line noise	AC line / ±2kV (IEC61000-4-4 Level 3, EN61000-4-4 Level 3), Signal line / ±1kV (IEC61000-4-4 Level 3, EN61000-4-4 Level 3)
	Static electricity resistance	Contact discharge / ±4kV (IEC61000-4-2 Level 2, EN61000-4-2 Level 2) Air discharge / ±8kV (IEC61000-4-2 Level 3, EN61000-4-2 Level 3)
Vibration resistance	Sweep resistance	- HDD configuration (when powered on) 10 - 50Hz / 0.5G 25 min. each in x, y, and z directions (JIS C60068-2-6 compliant, IEC60068-2-6 compliant) - SSD configuration (when powered on) 10 - 57Hz / semi-amplitude : 0.075mm, 57 - 150Hz / 1.0G 40 min. each in x, y, and z directions (JIS C60068-2-6 compliant, IEC60068-2-6 compliant) * Excluding vertical installation and optical drive usage
		Impact resistance
Grounding	Class D grounding, SG-FG / continuity	
Standard	VCCI Class A, FCC Class A, CE Marking (EMC Directive Class A, RoHS Directive), UKCA, UL, CCC	

Specifications

- Windows 10 IoT Enterprise 2021 LTSC 64bit (Japanese / English / Chinese / Korean)
- Windows 10 IoT Enterprise 2019 LTSC 64bit (Japanese / English / Chinese / Korean)
- Windows 11 IoT Enterprise LTSC 2024 (Japanese / English / Chinese / Korean)
- MIRACLE LINUX 9.0 (Japanese version only)

Included Items

- Product [MR4100] ...1
- AC Cable ... 1
- Front Bezel Key ... 2
- Key For Removable ... 4
- Vertical Resin Stand ... 1 Set
- Mount Bracket ... 1 Set
- RS-232C Cable For Battery ... 1 *1
- Vertical orientation stand bracket ... 2 *1
- Output Harnesses ... 2 *1
- Keyboard ... 1 *1
- Mouse ... 1 *1
- Product Guide ... 1

*1 The quantity varies depending on the product configuration.

Replacement Parts for Maintenance

Parts name	Type	Description
Hard Disk	HDD-2TS-3	3.5 inch SATA HDD 2TB
	HDD-2TS-3R	3.5 inch SATA HDD 2TB (Support for RAID)

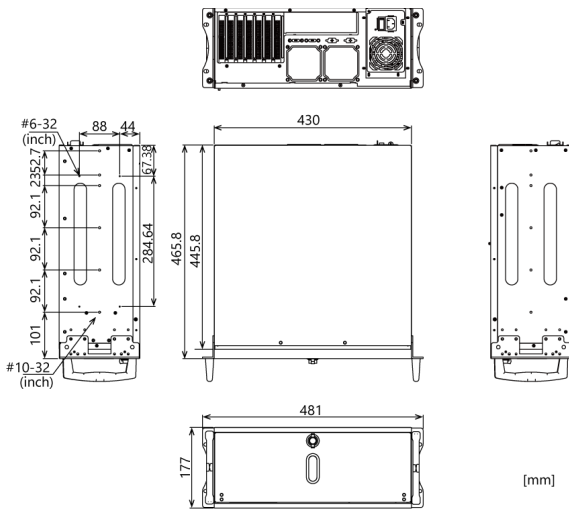
CAUTION

If a product other than our replacement parts one is used, the normal operation may be impaired or the functions may be limited.

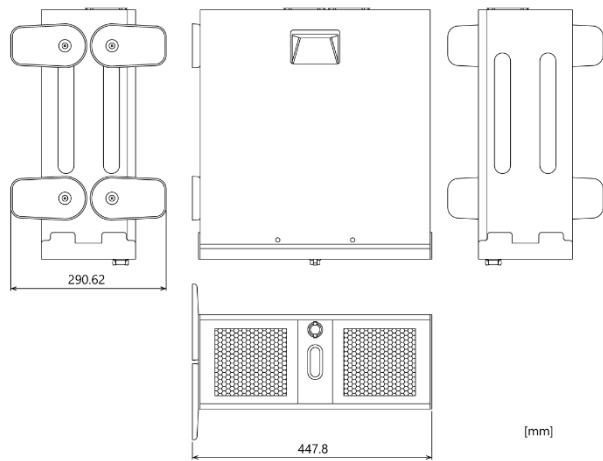
* Visit the CONTEC website for the latest replacement parts for maintenance.

Physical Dimensions

Horizontal Installation



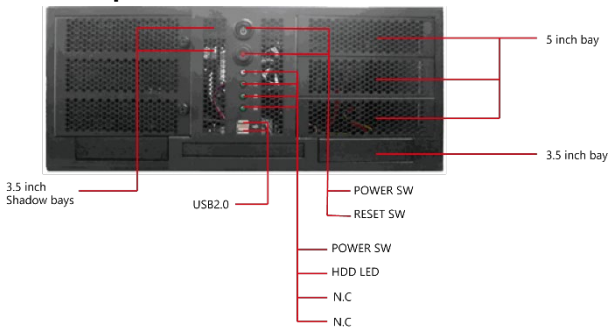
With Vertical Resin Stands Attached



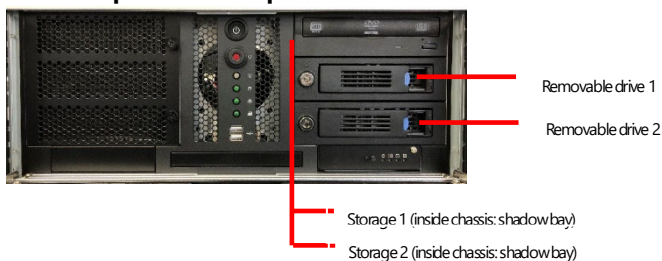
Component Name

Front View

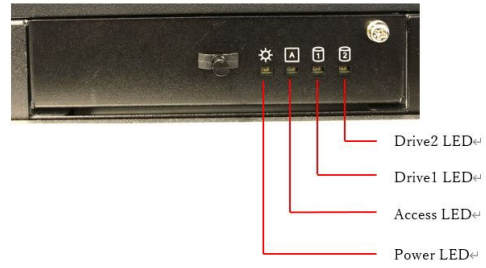
Front components



Front components with options installed



LEDs with hardware RAID selected (3.5 inch bay)



With front cover attached



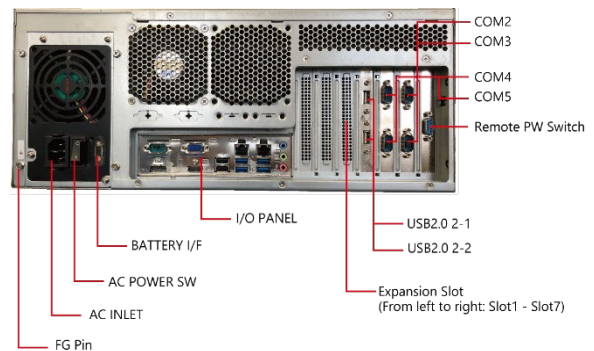
* The 5 inch bays store the customer-selected optical drives, batteries, and storage devices.

* The 3.5 inch bay stores the RAID board when RAID is selected.

* The 3.5 inch shadow bays store the selected storage devices.

	Name	Function
Front	Optical drive	Slim DVD super multi drive (5 inch bay)
	Nickel metal hydride battery	Selectable when the Japan-made 520 W power supply is selected (upper 5 inch bay)
	Power LED (For hardware RAID)	Power LED with hardware RAID selected (3.5 inch bay for hardware RAID)
	Access LED	Status LED with hardware RAID selected (3.5 inch bay for hardware RAID)
	Drive 1 LED	SATA device 1 access LED with hardware RAID selected (3.5 inch bay for hardware RAID)
	Drive 2 LED	SATA device 2 access LED with hardware RAID selected (3.5 inch bay for hardware RAID)
	POWER SW	Power switch
	RESET SW	System reset switch
	POWER LED	Power LED (For PC main body)
	HDD LED	SATA device LED
	USB 2.0	USB 2.0 (Type-A connector) x 2
	Removable drive 1	SATAIII, 2.5 inch / 3.5 inch removable drive (5 inch bay)
	Removable drive 2	SATAIII, 2.5 inch / 3.5 inch removable drive (5 inch bay)
	Storage 1	SATAIII, 3.5 inch drive (Shadowbay)
Storage 2	SATAIII, 3.5 inch drive (Shadowbay)	

Rear View

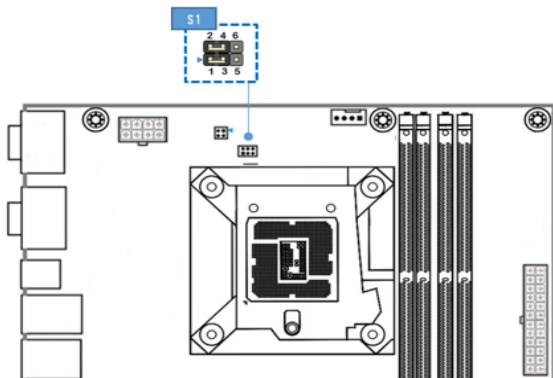


	Name	Function
Rear	I/O PANEL	Stores various interfaces
	COM 2/3/4/5	RS-232C (9pin D-SUB connector (Male)) 2 port x2 *Selection
	Remote PW Switch	Allows the product to be started remotely
	USB 2.0 2-1/2-1	Expanded USB2.0
	FG Pin	Frame ground terminal
	AC INLET	100 - 240VAC Power Input Connector
	AC POWER SW	AC Power Switch

Name	Function
Expansion Slot	From the left Slot1 (PCIe1) : PCI Express 3.0(×16)/(×8) slot x1 Slot2 (PCIe2) : PCI Express 3.0(×4) slot x1 Slot3 (PCIe3) : PCI Express 3.0(×4) slot x1 Slot4 (PCIe4) : PCI Express 3.0(×8) slot x1 Slot5 (PCI1) : PCI slot x1 Slot6 (PCI2) : PCI slot x1 Slot7 (PCB) : PCI slot x1 * Use the jumper (S1) to switch between PCI Express 3.0(×16) and PCI Express 3.0(×8). The other PCI Express 3.0(×8) slot cannot be used when PCI Express 3.0(×16) is selected. * Remote PW switch, COM 2/3/4/5, and USB 2.0 2-1/2-2 occupy expansion slots. From right to left on the rear panel: Remote PW switch, COM 2/3, COM 4/5, USB 2-1/2-2, and right to left
BATTERY I/F	COM port for battery

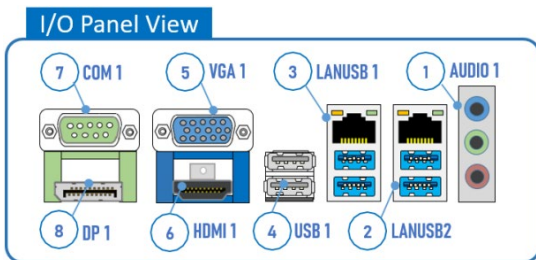
Jumper (S1) settings

When configuring this setting, use the jumper (S1) on the motherboard.



Label	Setting	Function
S1	(Initial value) 2 - 4 : connection 1 - 3 : connection	PCI Express 3.0(×16) x 1
	2 - 4 : connection 3 - 5 : connection	PCI Express 3.0(×8) x 2

I/O panel details



Name	No.	Function
I/O PANEL	AUDIO1 (LINE IN)	1 Line input (3.5φPHONE JACK)
	AUDIO1 (LINE OUT)	1 Line output (3.5φ PHONE JACK)
	AUDIO1 (MIC IN)	1 Mic input (3.5φ PHONE JACK)
	LANUSB1 (LAN A)	3 1000BASE-T/100BASE-TX/10BASE-T (RJ-45 Connector)
	LANUSB2 (LAN B)	2 1000BASE-T/100BASE-TX/10BASE-T (RJ-45 Connector)
	LANUSB1 (USB 3.2 Gen2)	3 USB 3.2 Gen2 (USB 3.1) (Type-A connector) 2 ports
	LANUSB2 (USB 3.2 Gen2)	2 USB 3.2 Gen2 (USB 3.1) (Type-A connector) 2 ports
	USB 1 (USB 2.0)	4 USB 2.0 (Type-A connector) 2 ports
	VGA 1	5 Analog RGB (15pin, female)
	HDMI 1	6 Display (19pin, female)
	COM 1	7 RS-232C/RS-422A/RS-485 (9pin D-SUB Connector (male))
	DP 1 (DisplayPort)	8 DisplayPort (20pin, female)

Model Name Description

MR4100 Type Rule

Model Name MR4100

Type Name P 1 3 8 9 9 1 H 3 1 0 0

No. 1 2 3 4 5 6 7 8 9 10 11 12

No.	Item	Type Name	Description
1	Power*2	P	Japan-made (1000W) power supply
		F	Non-Japan-made (500W) power supply
		N	Japan-made (520W) power supply
		U	Japan-made (520W) power supply (with nickel metal hydride battery pack)
2	CPU	1	Intel® Core™ i3 10100E Processor 3.2GHz
		2	Intel® Core™ i5 10500E Processor 3.1GHz
		3	Intel® Core™ i7 10700E Processor 2.9GHz
		4	Intel® Core™ i9 10900E Processor 2.8GHz
		A	Reserved
3	Memory	1	8GB : DDR4 ECC DIMM (8GB x1)
		2	16GB : DDR4 ECC DIMM (8GB x2)
		3	32GB : DDR4 ECC DIMM (16GB x2)
		4	64GB : DDR4 ECC DIMM (16GB x4)
		5	128GB : DDR4 ECC DIMM (32GB x4)
		6	Reserved
		7	8GB : DDR4 non-ECC DIMM (8GB x1)
		8	16GB : DDR4 non-ECC DIMM (8GB x2)
		9	32GB : DDR4 non-ECC DIMM (16GB x2)
		A	64GB : DDR4 non-ECC DIMM (16GB x4)
		B	128GB : DDR4 non-ECC DIMM (32GB x4)
		C	Reserved
		4	Optical Drive *4/ NVMe (M.2-Key) *3
1	Without optical drive, 256GB SSD (TLC) NVMe		
2	Without optical drive		
3	Without optical drive, 1TB SSD (TLC) NVMe		
4	Without optical drive, 2TB SSD (TLC) NVMe		
5	Reserved		
6	Reserved		
7	Reserved		
8	With optical drive, Non NVMe		
9	With optical drive, 256GB SSD (TLC) NVMe		
A	With optical drive, 512GB SSD (TLC) NVMe		
B	With optical drive, 1TB SSD (TLC) NVMe		
C	With optical drive, 2TB SSD (TLC) NVMe		
D -	Reserved		
5	Removable drive Storage 1 *3 *Storage 1 and Storage 2 share the same settings when Removable is selected. (e.g, when "With 5 inch removable" is selected for Storage 1, "With 5 inch removable" will also be selected for Storage 2).	0	Without 5 inch removable, No Storage
		1	Without 5 inch removable, 3.5 inch SATA/HDD 2TB
		2	Without 5 inch removable, 3.5 inch SATA/HDD 4TB
		3	Without 5 inch removable, 3.5 inch SATA/SSD 256GB (3D TLC BIC5S)
		4	Without 5 inch removable, 3.5 inch SATA/SSD 512GB (3D TLC BIC5S)
		5	Without 5 inch removable, 3.5 inch SATA/SSD 1TB (3D TLC BIC5S)
		6	Reserved
		7	Reserved
		8	Reserved
		9	With 5 inch removable, 3.5 inch SATA/HDD 2TB
		A	With 5 inch removable, 3.5 inch SATA/HDD 4TB
		B	With 5 inch removable, 3.5 inch SATA/SSD 256GB (3D TLC BIC5S)
		C	With 5 inch removable, 3.5 inch SATA/SSD 512GB (3D TLC BIC5S)
		D	With 5 inch removable, 3.5 inch SATA/SSD 1TB (3D TLC BIC5S)
E -	Reserved		
6	Removable drive Storage 2 *Storage 1 and Storage 2 share the same settings when Removable is selected. (e.g, when "With 5 inch removable" is selected for Storage 1, "With 5 inch removable" will also be selected for Storage 2).	0	Without 5" removable, No Storage
		1	Without 5 inch removable, 3.5 inch SATA/HDD 2TB
		2	Without 5 inch removable, 3.5 inch SATA/HDD 4TB
		3	Without 5 inch removable, 3.5 inch SATA/SSD 256GB (3D TLC BIC5S)
		4	Without 5 inch removable, 3.5 inch SATA/SSD 512GB (3D TLC BIC5S)
		5	Without 5 inch removable, 3.5 inch SATA/SSD 1TB (3D TLC BIC5S)

No.	Item	Type Name	Description
		6	Reserved
		7	Reserved
		8	Reserved
		9	With 5 inch removable, 3.5 inch SATA/HDD 2TB
		A	With 5 inch removable, 3.5 inch SATA/HDD 4TB
		B	With 5 inch removable, 3.5 inch SATA/SSD 256GB (3D TLC BICSS)
		C	With 5 inch removable, 3.5 inch SATA/SSD 512GB (3D TLC BICSS)
		D	With 5 inch removable, 3.5 inch SATA/SSD 1TB (3D TLC BICSS)
		E -	Reserved
7	OS *13	0	None
		1	Windows 10 IoT Enterprise 2021 LTSC 64bit (Japanese / English / Chinese / Korean)
		2	Windows 10 IoT Enterprise 2019 LTSC 64bit (Japanese / English / Chinese / Korean)
		5	Windows 11 IoT Enterprise LTSC 2014 (Japanese / English / Chinese / Korean)
		A	Reserved
		B	MIRACLE LINUX 9.0 (Japanese version only)
8	RAID	0	None
		R	Software RAID
		H	Hardware RAID
9	Keyboard & Mouse	0	None
		1	USB Japanese 109 keyboard (JP109)
		2	USB Optical mouse
		3	USB Japanese 109 keyboard (JP109) + USB Optical mouse
		4	USB English 104 keyboard (US104)
		6	USB English 104 keyboard (US104) + Optical mouse
10	Expansion slot COM&USB	0	no COM port expansion, no USB port expansion
		1	COM2, COM3 2 port expansion, no USB port expansion
		3	COM2, COM3, COM4, COM5 4 port expansion, no USB port expansion
		4	no COM port expansion, USB 2.0 2 port expansion
		5	COM2, COM3 2 port expansion, USB 2.0 2 port expansion
		7	COM2, COM3, COM4, COM5 4 port expansion, USB 2.0 2 port expansion
		8 -	Reserved
11	Vertical Stand Remote PW Switch	0	Without Vertical Stand, Without remote PW switch
		1	With Vertical stand, Without remote PW switch
		2	Reserved
		3	Reserved
		4	Reserved
		5	Reserved
		6	Reserved
		7	Reserved
		8	Without Vertical Stand, With remote PW switch
		9	With Vertical Stand, With remote PW switch
		A -	Reserved
12	Reserved	0	Common Standard, AC Code PSE standard product, No kitting
		1	Common Standard +UL, AC Code UL standard product, No kitting
		2	Reserved
		3	Common Standard +CCC, AC Code CCC standard product, No kitting
		4	Common Standard +UL+CCC, AC Code UL standard product, No kitting
		5	Reserved
		A	VCCI, AC Code PSE standard product, USB Card (USB 3.1 Gen1 8port)
		B	VCCI, AC Code PSE standard product, PoE LAN Card (4port)
		C	VCCI, AC Code PSE standard product, PoE LAN Card (2 port)
D	VCCI, AC Code PSE standard product, PoE LAN Card + surge protection(4 port)		

*1 NVMe is prioritized for the drive on which to install the OS.

*2 The Japan-made (520W) power supply (N) will be used if the UL-certified type or CCC-certified type is selected.

*3 "None" for the OS option cannot be selected if the CCC-certified type is selected. Storage 1 or NVMe must be selected.

*4 The "With optical drive" options cannot be selected if the UL-certified type or CCC-certified type is selected.