

## Digital Output Board with Opto-Isolation for PCI PO-64L(PCI)H



\* Specifications, color and design of the products are subject to change without notice.

### Features

**Opto-coupler isolated open-collector output (current sink type)**  
PO-64L(PCI)H has the 64ch of opto-coupler isolated open-collector output (current sink type) whose response time is 200μsec. Common terminal provided per 16channels, capable of supporting a different external power supply. Supporting driver voltages of 12 - 24 VDC for I/O.

#### Opto-coupler bus isolation

As the PCI bus (PC) is isolated from the input and output interfaces by opto-couplers, this product has excellent noise performance.

#### Windows/Linux support device driver

Using the device driver API-TOOL makes it possible to create applications of Windows/Linux. In addition, a diagnostic program by which the operations of hardware can be checked is provided.

#### Zener diode for surge voltage protection and the circuit for overcurrent protection

Zener diodes are connected to the output circuits to protect against surge voltages. In addition, the output circuit, it attaches the overcurrent protection circuit at the output 8-channel unit. The output rating is max. 35VDC, 100mA per channel.

### Included Items

Product [PO-64PCI)H] ... 1

Please read the following ... 1

This product is a PCI bus-compliant interface board for output of digital signals. This product can input and output digital signals at 12 - 24VDC.

PO-64L(PCI)H features 64 opto-coupler isolated open-collector outputs (current sink type). In addition, output transistor protection circuit (surge voltage protection and overcurrent protection).

Windows/Linux device driver is supported with this product.

\*The contents in this document are subject to change without notice.

\*Visit the CONTEC website to check the latest details in the document.

\*The information in the data sheets is as of July, 2023.

### Hardware specifications

#### Function Specifications

Item		Specifications
Output	Type	Opto-Isolated Open Collector Output (current sinking type) (Negative logic *1)
	Number of Channels	64ch (One common power supply per 16 channels)
	Output rated voltage	35VDC (Max.)
	Output rated current	100mA/channel (Max.)
	Residual voltage with output on	0.5V or less (Output current ≤ 50mA), 1.0V or less (Output current ≤ 100mA)
	Surge protector	Zener diode RD47FM(Renesas) or equivalent
	Response time	200μsec within
Common	Connecting distance	50m (Typ.)(depending on wiring environment)
	I/O address	Any 32-byte boundary
	Interruption level	Not used
	Boards in one system	Maximum of 16 boards can be install in a same system.
	Isolated voltage	500Vrms
	External circuit power supply	12 - 24VDC (±10%)
	Power consumption	5VDC 250mA (Max.)
	PCI bus specification	32bit, 33MHz, Universal key shapes supported *2
	Dimension (mm)	176.41(L) x 105.68(H)
	Weight	215g

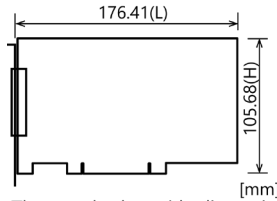
\*1 Data "0" and "1" correspond to the High and Low levels, respectively.

\*2 This product requires power supply at +5V from an expansion slot (it does not work on a machine with a +3.3-V power supply alone).

#### Installation Environment Requirements

Item	Specifications
Operating ambient temperature	0 - +50°C
Operating ambient humidity	10 - 90%RH (No condensation)
Floating dust particles	Not to be excessive
Corrosive gases	None
Standard	VCCI Class A, CE Marking (EMC Directive Class A, RoHS Directive), UKCA

### Physical Dimensions



The standard outside dimension (L) is the distance from the end of the board to the outer surface of the slot cover.

### Support Software

You can use CONTEC support software according to your purpose and development environment.

For more details on the supported OS, applicable languages, or to download the latest version of software, visit the CONTEC Web site.

Name	Contents	How to get
Windows Version Digital I/O Driver software API-DIO(WDM)	The Windows device driver is provided as a form of Windows API functions. Various sample programs such as C# and Visual Basic .NET, Visual C++, Python etc. and diagnostic program useful for checking operation is provided.	Download from the CONTEC website *1
Linux Version Digital I/O Driver software API-DIO(LNX)	The Linux device driver is provided as a shared library. The software includes various sample programs such as gcc (C, C++) and Python programs, as well as a configuration tool to configure the device settings.	Download from the CONTEC website *1
Software Development Tool Kits (SDK) and Support Software	In addition to the device drivers, we offer many software programs for using CONTEC devices in an easier manner.	Download from the CONTEC website *2

\*1 Download the files from the following URL  
<https://www.contec.com/download/>

\*2 For supported software, search the CONTEC website for this product and view the product page.  
<https://www.contec.com/>

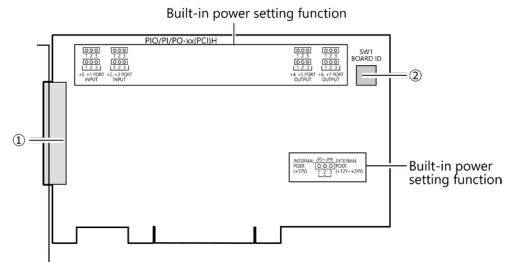
### Optional Products

Product Name	Model type	Description
Shield Cable with 96-Pin Half-Pitch Connector at Both Ends (Mold Type)	PCB96PS-05P	0.5m
	PCB96PS-1.5P	1.5m
	PCB96PS-3P	3m
	PCB96PS-5P	5m
	PCB96PS-9P	9m
Flat Cable with 96-Pin Half-Pitch Connectors at Both Ends	PCB96P-1.5	1.5m
	PCB96P-3	3m
Shield Cable with 96-Pin Half-Pitch Connector at One End (Mold Type)	PCA96PS-0.5P	0.5m
	PCA96PS-1.5P	1.5m
	PCA96PS-3P	3m
	PCA96PS-5P	5m
Flat Cable with 96-Pin Half-Pitch Connector at One End	PCA96P-1.5	1.5m
	PCA96P-3	3m
Distribution Shield Cable with 96-Pin Half-Pitch Connector (96Pin→37Pin x 2)	PCB96WS-1.5P	1.5m
	PCB96WS-3P	3m
	PCB96WS-5P	5m
Screw Terminal Unit (M3 x 96P)	EPD-96A	*1 *2
Screw Terminal Unit (M3.5 x 96P)	EPD-96	*2
Screw Terminal Unit (M3 x 37P)	EPD-37A	*1 *3
Screw Terminal Unit (M3.5 x 37P)	EPD-37	*3
Digital I/O 64CH Series Terminal Panel (M3 x 96P)	DTP-64A	*2
Termination Panel (M3)	DTP-3C	*3
Termination Panel (M2.5)	DTP-4C	*3
Signal Monitor for Digital I/O (64bit)	CM-64L	*2
Signal Monitor for Digital I/O (32bit)	CM-32L	*3
Connection Conversion Board (96P→37P x 2)	CCB-96	*4

\*1 "Spring-up" type terminal is used to prevent terminal screws from falling off.  
\*2 PCB96P or PCB96PS optional cable is required separately.  
\*3 PCB96WS optional cable is required separately.  
\*4 "Spring-up" type terminal is used to prevent terminal screws from falling off.

Visit the CONTEC website for the latest optional products.

### Component Name



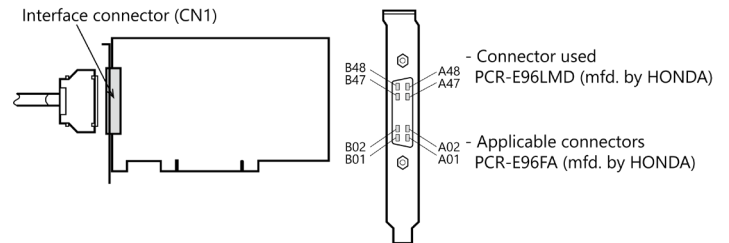
No.	Name
1	Interface Connector
2	Board ID Setting Switch

### CAUTION

The product doesn't have the built-in power setting function.

### Connecting an Interface Connector

To connect an external device to this product, plug the cable from the device into the interface connector (CN1) shown below.



### Layout on the Interface Connector(CN1)

Common plus pin for +6/+7 output ports	OP-6/7	B48	A48	OP-2/3	Common plus pin for +2/+3 output ports		
	OP-6/7	B47		OP-2/3			
	O-77	B46		A46		O-37	
	O-76	B45		A45		O-36	
	O-75	B44		A44		O-35	
	O-74	B43		A43		O-34	
	O-73	B42		A42		O-33	
+7 port (output)	O-72	B41	A41	O-32	+3 port (output)		
	O-71	B40	A40	O-31			
	O-70	B39	A39	O-30			
	O-67	B38	A38	O-27		+2 port (output)	
	O-66	B37	A37	O-26			
	O-65	B36	A36	O-25			
	O-64	B35	A35	O-24			
+6 port (output)	O-63	B34	A34	O-23	+2 port (output)		
	O-62	B33	A33	O-22			
	O-61	B32	A32	O-21			
	O-60	B31	A31	O-20			
	Common minus pin for +6/+7 output ports	ON-6/7	B30	A30		ON-2/3	Common minus pin for +2/+3 output ports
		ON-6/7	B29	A29		ON-2/3	
	N.C.	N.C.	B28	A28		N.C.	N.C.
N.C.		B27	A27	N.C.			
N.C.		B26	A26	N.C.			
N.C.		B25	A25	N.C.			
N.C.		B24	A24	N.C.			
N.C.		B23	A23	N.C.			
N.C.		B22	A22	N.C.			
N.C.		B21	A21	N.C.			
Common plus pin for +4/+5 output ports	OP-4/5	B20	A20	OP-0/1	Common plus pin for +0/+1 output ports		
	OP-4/5	B19	A19	OP-0/1			
+5 port (output)	O-57	B18	A18	O-17	+1 port (output)		
	O-56	B17	A17	O-16			
	O-55	B16	A16	O-15			
	O-54	B15	A15	O-14			
	O-53	B14	A14	O-13			
	O-52	B13	A13	O-12			
	O-51	B12	A12	O-11			
	O-50	B11	A11	O-10			

+4 port (output)	O-47	B10	+0 port (output)	A10	O-07
	O-46	B09		A09	O-06
	O-45	B08		A08	O-05
	O-44	B07		A07	O-04
	O-43	B06		A06	O-03
	O-42	B05		A05	O-02
	O-41	B04		A04	O-01
	O-40	B03		A03	O-00
Common minus pin for +4/+5 output ports	ON-4/5	B02	Common minus pin for +0/+1 output ports	A02	ON-0/1
	ON-4/5	B01		A01	ON-0/1

The numbers in square brackets [] are pin numbers designated by HONDA TSUSHIN KOGYO CO., LTD.

Signal name	Description
O-00 - O-77	64 output signal pins. Connect these pins to the input signal pins of the external device.
OP-0/1	Connect the positive side of the external power supply. These pins are common to 16 output signal pins.
OP-2/3	Connect the positive side of the external power supply. These pins are common to 16 output signal pins.
OP-4/5	Connect the positive side of the external power supply. These pins are common to 16 output signal pins.
OP-6/7	Connect the positive side of the external power supply. These pins are common to 16 output signal pins.
ON-0/1	Connect the negative side of the external power supply. These pins are common to 16 output signal pins.
ON-2/3	Connect the negative side of the external power supply. These pins are common to 16 output signal pins.
ON-4/5	Connect the negative side of the external power supply. These pins are common to 16 output signal pins.
ON-6/7	Connect the negative side of the external power supply. These pins are common to 16 output signal pins.
N.C.	This pin is left unconnected.

**CAUTION**

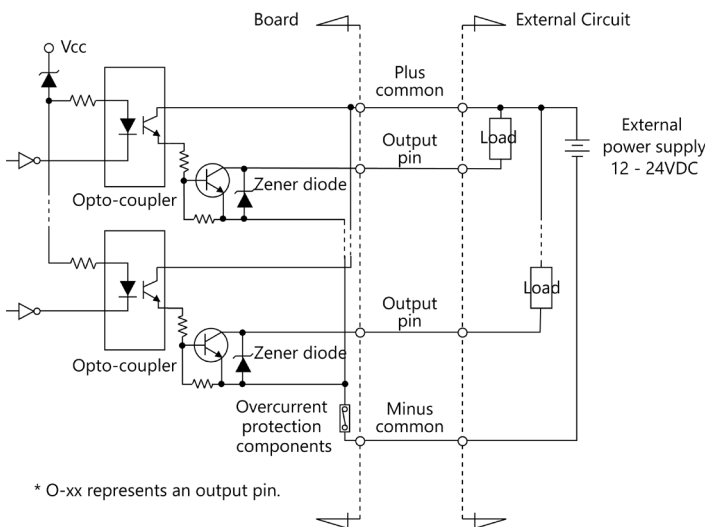
To perform input/output using this product with the CONTEC device driver, specify logical ports and logical bits when calling each function. For details, refer to the "Relationships between API-TOOL Logical Ports/Bits and Connector Signal Pins" of Reference Manual.

### Connecting Output Signals

#### Output Circuit

Connect the output signals to a current-driven controlled device such as a relay or LED.

The connection requires an external power supply to feed currents. The product controls turning on/off the current-driven controlled device using a digital value.



\* O-xx represents an output pin.

The output circuits of interface blocks of the PO-64L(PCI)H are illustrated in the figure above.

The signal output section is an opto-coupler isolated, open-collector output (current sink type).

The rated output current per channel is 100mA at maximum. The output section can also be connected to a TTL level input as it uses a low-saturated transistor for output.

The residual voltage (low-level voltage) between the collector and emitter with the output on is 0.5V or less at an output current within 50mA or at most 1.0V at an output current within 100mA.

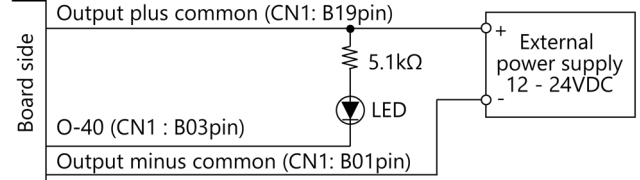
A zener diode is connected to the output transistor for protection from surge voltages.

An overcurrent protection component is provided for every 8 output transistors.

**CAUTION**

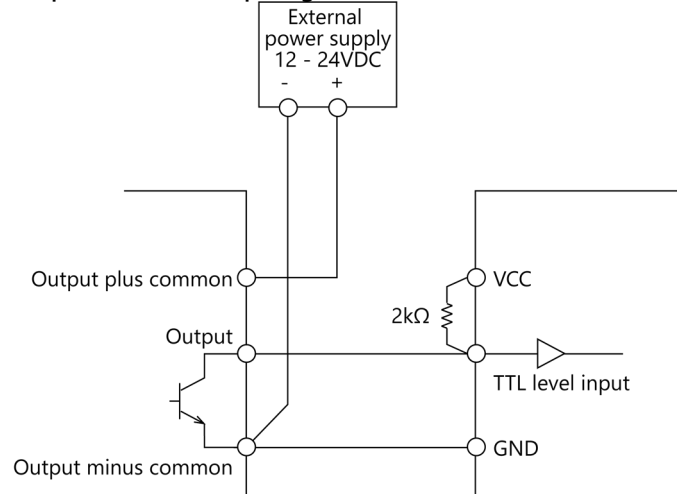
When the PC is turned on, all outputs are reset to OFF.

#### Connection to the LED (An Example to use Output O-40)



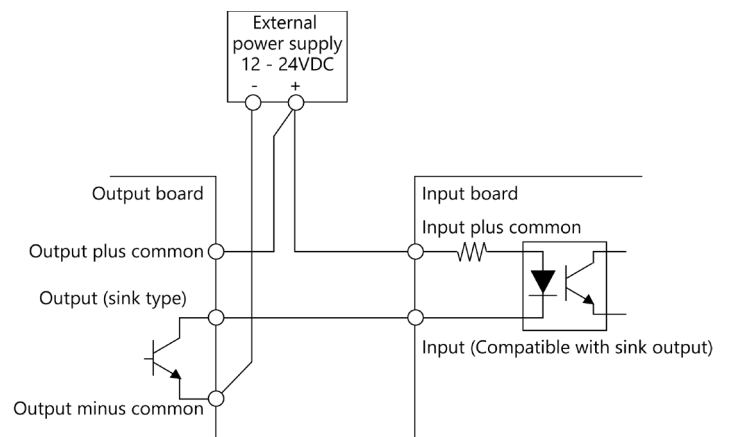
When "1" is output to a relevant bit, the corresponding LED comes on. When "0" is output to the bit, in contrast, the LED goes out.

#### Example of Connection to TTL Level Input (Connection Example of Output and TTL level Input Signal)

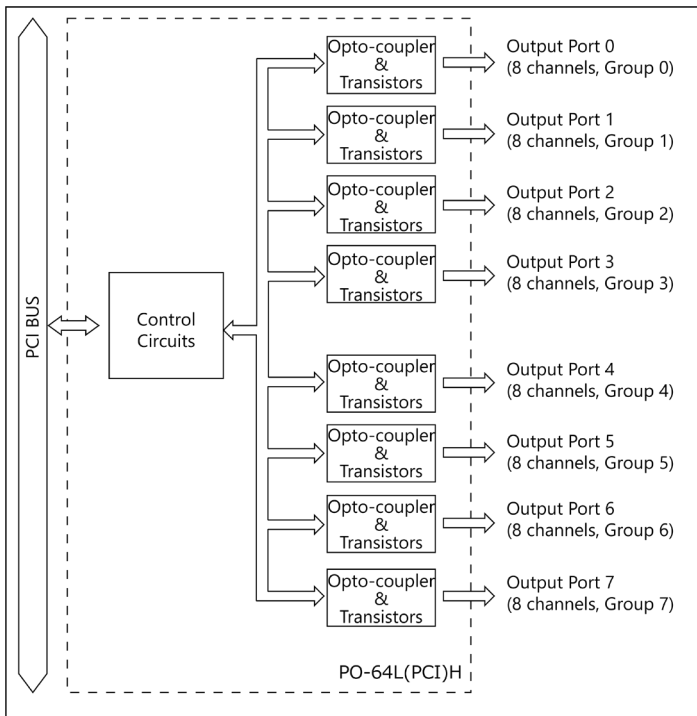


#### Connecting the Sink Type Output and Sink Output Support Input

The following example shows a connection between a sink type output (output board) and a sink output support input (input board). Refer to this connection example when you connect such boards to each other.



## Block Diagram



## Differences between the PO-64L(PCI)H and PO-64L(PCI)

The PO-64L(PCI)H is connector-pin compatible with the conventional PO-64L(PCI) but has the following differences from it:

- (1) Protective elements provided for outputs
  - PO-64L(PCI)H : Surge protector: Zener diode
  - PO-64L(PCI) : Nothing
- (2) Different in interrupt level resource allocation
  - PO-64L(PCI)H : Automatically allocates on interrupt level.
  - PO-64L(PCI) : Uses a jumper switch to select whether to allocate interrupt levels.