

Desktop PANEL-PC 970 Series
Fanless, Atom E3845, 10.1" WXGA
HDD, Win7 Pro, DC input, UPS
PT-970



* Specifications, color and design of the products are subject to change without notice.

Features

Installable computer with desktop-type touch panel

A panel computer equipped with a 10.1-inch (WXGA 1280 × 800) touch panel display that can either be mounted on a desktop using rubber feet (included) or screwed to a device, fixing it like an embedded computer. The angle of the display can be adjusted, and it is possible to close the display like a laptop computer by pressing forward 90°

Safe even if power is interrupted. UPS backup power supply, OS automatic shutdown function

A backup power supply (nickel-metal hydride secondary battery) is built-in to the computer, protecting the system from sudden shutdown caused by unintended power interruption such as a power outage and momentary blackout. OS automatic shutdown utility software is also included.

Abundant expansion interface matched with device incorporation

Equipped with an abundant interface, including USB2.0 × 5, LAN × 2, and COM (RS-232C) × 3. Peripheral equipment for professional use, such as barcode readers or thermal printers, can be connected directly. Storage can also be easily exchanged from the side.

Slitless/fanless design that reduces maintenance work

There is no need to worry about the intrusion of dust or foreign objects, and the use of parts that degrade over time is minimized to facilitate maintenance.

Remote power management function to reduce operation tasks

Supports system startup by external device over network (Wake-on-LAN), by general purpose input (power on by GPI), and by modem reception (power on by ring). It encourages significant labor saving in operation.

A wide range of power supplies (10.8 - 31.2VDC) supported

As the product supports a wide range of power (10.8 - 31.2VDC), it can be used in a variety of power environments. The separately available AC adapter adds support for 100 - 240VAC power.

This product is a liquid crystal integrated all-in-one computer, equipped with a 10.1-inch (WXGA 1280 × 800) touch panel display. It can be used for a wide range of applications, including as a control panel for medical devices or test equipment instead of a PC, or as a desk-mounted touch-type reception or authentication terminal.

This product is equipped with a built-in UPS battery that can operate for 5 minutes or more in the case of power failure such as a power outage and momentary blackout, contributing to improved system stability and reliability by being able to automatically shut down the OS using the included utility software.

Additionally, the angle of the display can be adjusted, and if pressed forward 90° the display can be closed completely, much like a laptop computer. In addition to desktop mounting using rubber feet (included), the product can be screwed to a device, fixing it like an embedded computer.

- * The contents in this document are subject to change without notice.
- * Visit the CONTEC website to check the latest details.
- * Visit the CONTEC website to check the latest OS.
- * The information in the data sheets is as of June 2022.

Specification

Function specification <1/2>

Model	PT-970W10WDT-DCxxxxx	
CPU	Intel® Atom™ Processor E3845 1.91GHz	
BIOS	BIOS (mfd. by AMI)	
Memory	4GB, PC3L-10600(DDR3L 1333) ECC, On Board	
Graphic	Intel® HD Graphics (built-in CPU)	
LCD type	LCD type	10.1-inch TFT color LCD, WXGA (1280 x 800)
	Backlight	LED method, The ON/OFF software can control.
Touch panel	Resolution	WXGA (1280 x 800)
	Detection method	Resistive-film analog type
	Connection	Internal serial port
Audio	HD Audio compliant	
Speaker	Internal piezoelectric speaker (monaural)	
SATA *1	1 slot (2.5" S-ATA slot)	
	PT-970W10WDT-DC71xxxx: Built-in HDD (500GB, 1 partition)	
LAN *2	PT-970W10WDT-DC71xxxx: Built-in HDD (500GB, 1 partition)	
	PT-970W10WDT-DC74xxxx: Built-in SSD (256GB, 1 partition)	
USB	USB 2.0 compliant 5 port	
Serial I/F	RS-232C (general-purpose) : 5port (two of the ports is used for internal) Baud rate : 50 - 115,200bps	
Hardware monitoring	Monitoring CPU temperature, power voltage	
Watchdog timer	Software programmable, 255 level (1sec - 255sec) Time up allows reset	
RTC/CMOS	Lithium backup battery life: 10 years or more. The real-time clock is accurate within ±3 minutes (at 25°C) per month	
Power Management	Power management setup via BIOS, Wake On LAN, Supports ACPI Power management	
Security (TPM)	TCG TPM2.0	

*1: The capacity of CFast is a value when 1GB is calculated by 1 billion bytes. The capacity that can be recognized from OS might be displayed fewer than an actual value.

Function specification <2/2>

Model	PT-970W10WDT-DCxxxxx
Interface	
Audio	Internal piezoelectric speaker (monaural)
SATA	1 slot (2.5" SATA HDD bay), PT-970W10WDT-DC712211: Built-in HDD (500GB, 1 partition) *1
LAN	2 port (RJ-45 connector)
USB	USB2.0 compliant 5port (TYPE-A connector x 5)
RS-232C	3 port (9pin D-SUB connector [male])
Power supply	
Rated input voltage	12 - 24VDC
Range of input voltage	10.8 - 31.2VDC
Power consumption	12V 3.2A, 24V 1.6A
External device power supply capacity	SATA I/F: +5VDC 1A USB2.0 I/F: +5V: 2.5A (500mA x 5) *2
UPS Battery	
Type	Ni-MH battery
Nominal voltage	6V
Nominal capacity	1,000mAh
Backup time	Over 5 minutes
Physical dimensions (mm)	254.0(W) x 130.0(D) x 228.6(H) (No protrusions)
Weight	About 2.0kg
Ambient specifications	
Operating temperature *3	0 - 35°C
Storage temperature *4	-10 - 50°C (within 30 days) -10 - 40°C (within 90 days) -10 - 30°C (within 1year)
Humidity	10 - 85%RH (No condensation)
Floating dust particles	Not to be excessive
Corrosive gases	None
Line-noise resistance	Line noise AC line / ±2kV *5, Signal line / ±1kV (IEC61000-4-4 Level 3, EN61000-4-4 Level 3) Static electricity resistance Contact discharge / ±4kV (IEC61000-4-2 Level 2, EN61000-4-2 Level 2) Atmospheric discharge / ±8kV (IEC61000-4-2 Level 3, EN61000-4-2 Level 3)
Vibration resistance	Sweep resistance PT-970W10WDT-DC71xxxx: 10 - 50Hz/0.5G 25 min. each in x, y, and z directions (JIS C60068-2-6compliant, IEC60068-2-6-compliant) PT-970W10WDT-DC74xxxx: 10 - 50Hz/semi-amplitude 0.375 57 - 150Hz/1.0G 40 min. each in x, y, and z directions (JIS C60068-2-6compliant, IEC60068-2-6-compliant)
Impact resistance	10G, half-sine shock for 11 ms in x, y, and z directions (JIS C60068-2-27-compliant, IEC60068-2-27-compliant)
Grounding	Class D grounding, SG-FG / continuity
Standard	VCCI Class A, FCC Class A, CE Marking (EMC Directive Class A, RoHS Directive), UKCA

*2: When the battery is operated, the power supply to the rear 4 USB ports is stopped.
*3: For more details on this, please refer to chapter 3, "Installation Requirements".
*4: Storing in high temperature environments for long periods of time greatly affects the life of the nickel-metal hydride secondary battery. Make sure to store at the lowest temperature possible.

AC Adapter specifications

Requirement	Description
Power supply space	
Rated input voltage	100VAC to 240VAC (continuous input), 50 to 60Hz
Permissible input voltage	90VAC to 264VAC (continuous input), 50 to 60Hz
Input current	1.7A Max. (AC IN 90V)
Rated output voltage	+19VDC ±5%
Rated output current	3.42A (Max)
Permissible momentary blackout	5ms or less
Dielectric strength (between Input P and S)	3.0kVAC for one minute
Insulation resistance (between P and S)	Greater than 20MΩ (500VDC)
Construction	
Length of cable	AC Power cable: 1.8m, DC cable: 1.2m
Input Plug Shape	AC Code: IEC60320-C5 AC Inlet: IEC60320-C6
External dimensions (mm)	46 (W) x 108 (D) x 30 (H) (not include projection of cable)
Weight	Main body: 210g, AC power cable: 180g
MTBF *5	100,000H (temperature 25 °C)

*5: Estimates of MTBF and Longevity are not guaranteed but are for reference only.

List of Option

AC adapter

ACAP19-01: AC adapter (Input: 100-240VAC, Output: 19VDC 3.42A)

Screen protective sheets

IPC-CV10W-AV: 10.1-inch Anti-bacterial/Anti-viral Screen Protective Sheet (3 Piece Set)

Keyboard

PC-KB-WHT: USB slim keyboard for PC

CAUTION

- If a product other than our optional one is used, the normal operation may be impaired or the functions may be limited.
- Always check the visibility and operability of the protective sheet before using it.

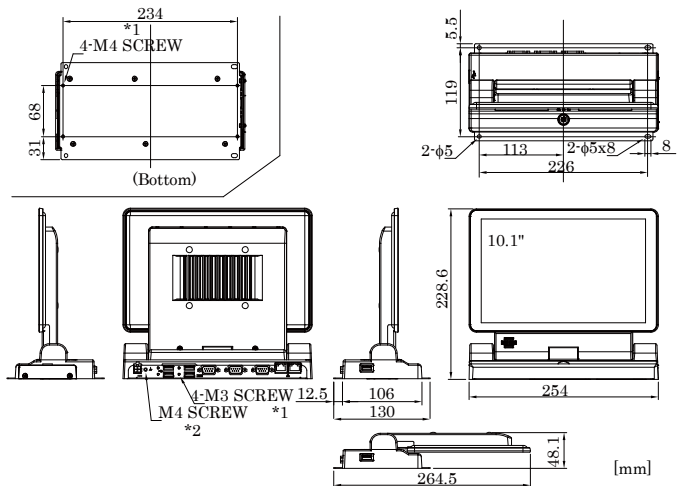
* Information about the option products, see the Contec's website.

Packing List

- PC ...1
- AC adapter ... 1
- AC cable *1*2 ...1
- Rubber foot...4
- M4 screw ...1
- M3 screw ...4
- Serial Number Label ...1
- Product guide ...1
- IPC Precaution List ...1
- Warranty Certificate ...1

*1 This AC power cable is for the voltage of the 100VAC or less.
In the case that the voltage that this cable uses do not match you need to prepare other cable particularly.
*2 Do not use this AC power cable with any devices except for an attached AC adapter.

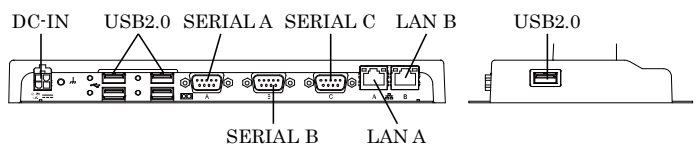
Physical Dimensions



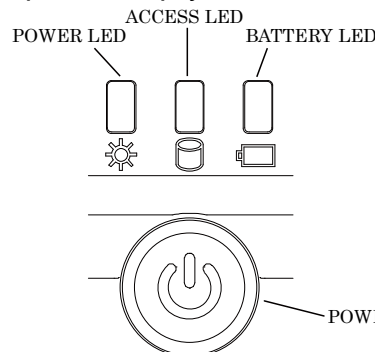
*1: Make sure the tips of the screws do not intrude 5 mm or more from the plate surface.
*2: Make sure the tips of the screws do not intrude 8 mm or more from the plate surface.

Component Name

External I/F



Operation / Display section



Name	Function
POWER LED	Power ON display LED
BATTERY LED	Battery Status LED
ACCESS LED	HDD access display LED
DC-IN	DC power input connector
POWER-SW	Power switch
SPEAKER	Piezoelectric speaker
USB2.0	USB2.0 port TYPE-A connector x 5
LAN A	Ethernet 1000BASE-T/100BASE-TX/10BASE-T RJ-45 connector
LAN B	Ethernet 1000BASE-T/100BASE-TX/10BASE-T RJ-45 connector
SERIAL A	Serial port A connector (9pin D-SUB, male)
SERIAL B	Serial port B connector (9pin D-SUB, male)
SERIAL C	Serial port C connector (9pin D-SUB, male)

Model

- OS-installed model with Intel Atom Processor E3845 1.91GHz

PT-970W10WDT-DC712211

(Memory 4GB, ECC, Windows 7 Professional for Embedded Systems
32bit (Japanese), HDD 500GB)

PT-970W10WDT-DC 711724

(Memory 4GB, ECC, Windows 10 IoT Enterprise LTSB 2016 64bit
(Japanese, English, Chinese, Korean), HDD 500GB)

PT-970W10WDT-DC 741724

(Memory 4GB, ECC, Windows 10 IoT Enterprise LTSB 2016 64bit
(Japanese, English, Chinese, Korean), SSD 256GB)