

## Desktop Panel Computer Atom E3845, M.2(32GB MLC), 7inch, WVGA, RFID PT-D07WA-110 Series



\* Specifications, color and design of the products are subject to change without notice.

### Features

- Built-in NFC  
Equipped with an NFC card reader/writer. It can be used as a card authentication terminal by building applications.
- The compact design features flexibility in installation  
With minimum interfaces such as USB2.0×1, LAN×1, and Audio×1, the compact size PC, (259(W)×23(D)×169(H)), features flexibility in installation.
- Contributing to running cost reduction and energy efficiency  
Adopting the low-power platform of Intel® Atom™ Processor E3845 achieves lower power consumption while still ensuring sufficient performance.
- Fan-less design that reduces maintenance and inspection work  
This product's spindle-less design eliminates CPU fan, and relieves the concern about dust or foreign matter to get into the product. The using parts that degrade over time is minimized to facilitate maintenance.
- Stand for desktop installation attached  
A stand for desktop installation is included. Horizontal or vertical installation is possible by changing the mounting direction.

### Included Items

Product...1  
AC adapter...1 \*1  
AC power cable (100VAC, 3pin)...1 \*1  
Product Guide...1

\*1 This AC power cable is for the voltage of the 100VAC or less. It might be necessary to get a particular cable to match the power voltage or outlet shape that you are using. The bundled AC power cable can only be used with the bundled AC adapter.

This product is the "All-in-One" type PC, which has a 7-inch size (WVGA 800×480) LCD touch screen integrated.

With a built-in NFC card reader/writer, the PC can be used for a wide range of applications such as a desktop reception terminal and an authentication terminal.

Embedded-type CPU has been adopted. The use of readily available parts ensures the product to be applied easily. In addition, the use of Contec-customized BIOS allows support to be provided at the BIOS level.

\* The contents in this document are subject to change without notice.

\* Visit the CONTEC website to check the latest details.

\* Visit the CONTEC website to check the latest OS.

\* The information in the data sheets is as of October, 2022.

### Specification

#### Functional Specifications

Item	Description	
CPU	Intel Atom® Processor E3845 1.91GHz	
BIOS	BIOS (mfd. by AMI)	
Memory	4GB, PC3-10600(DDR3L 1333) ECC, On Board	
Graphic	Intel® HD Graphics (built-in CPU)	
LCD type	LCD type	7.0-inch TFT color LCD, WVGA (800 x 480)
	Backlight	LED method, The ON/OFF can be controlled by software.
Touch screen	Resolution	WVGA (800 x 480)
	Detection method	Resistive-film analog type
	Connection	Internal serial port
Audio	HD Audio compliant, LINE OUT x 1 3.5p stereo minijack, Full-scale output level 1.1Vrms (Typ.) Internal speaker (monaural)	
LAN	Intel I210IT controller 1000BASE-T/100BASE-TX/10BASE-T RJ-45 connector x 1 (supports Wake On LAN)	
USB	Type-A controller USB 2.0-compliant x 2 ports	
SATA	M.2 32GB (MLC) built-in *1	
Serial	RS-232C 1port (9pin D-SUB connector [male])	
SD	SD Card slot x 1 (Internal USB connection), SD2.0 support	
NFC reader/writer *2	Built-in SONY® RC-S632/U1 built-in Compatible cards : ISO/IEC14443 Type A/B, FeliCa®, MIFARE and so on	
Security (TPM)	TCG TPM2.0	
Hardware monitoring	Monitoring CPU temperature, board temperature, power voltage	
Watchdog timer	Software programmable, 255 level (1sec - 255sec) Time up allows reset	
RTC/CMOS	Lithium backup battery life: 10 years or more The real-time clock is accurate within ±3 minutes (at 25°C) per month (CPU built-in RTC).	
Power Management	Power management setup via BIOS Wake On LAN Supports ACPI Power management	
Rated input voltage	12 - 24VDC	
Range of input voltage	10.8 - 31.2V	
Power consumption (Max)	12V 1.9A 24V 1.0A	
External device power supply capacity	USB2.0 I/F : +5V : 0.5A x 2 SD card slot : +3.3V : 0.2A	
Physical dimensions (mm)	264(W) x 133(H) x 33(D) (Not protrusions, stand)	
Weight	Panel : 1.3kg approx. Stand : 0.6kg approx.	

\*1 It is already built in the product. The capacity that can be recognized from OS might be displayed fewer than an actual value.

\*2 SDK is additionally required to use NFC. For more details, please visit Sony Corporation website.

Environment Requirements

Item	Description
Operating ambient temperature	0 - +35°C
Storage temperature	-10 - +50°C
Humidity	10 - 90%RH (No condensation)
Floating dust particles	Not to be excessive
Corrosive gases	None
Line-noise resistance	Line noise
	Static electricity resistance
Vibration resistance	Sweep resistance
	Shock resistance
Standard	VCCI Class A
Grounding	Class D grounding

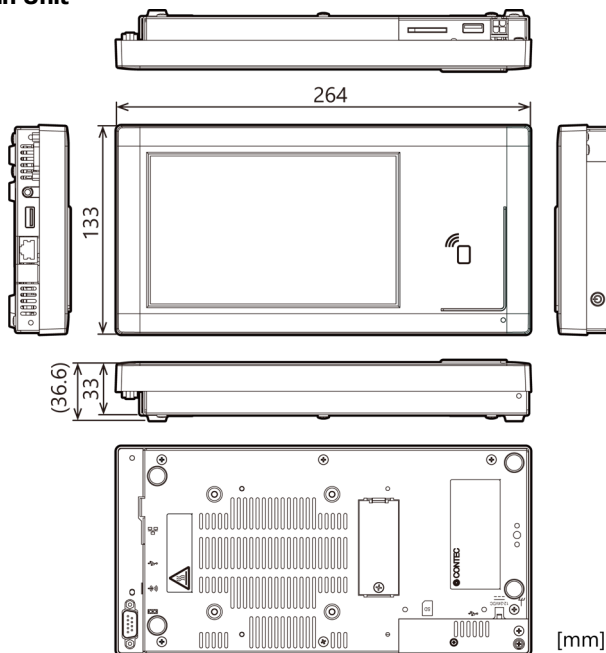
\*3 When using the included AC adapter.

AC Adapter specifications

Item	Description
Rated input voltage	100VAC to 240VAC (continuous input), 50 to 60Hz
Permissible input voltage	90VAC to 264VAC (continuous input), 50 to 60Hz
Input current	1.7A Max. (AC IN 90V)
Rated output voltage	+19VDC ±5%
Rated output current	3.42A (Max.)
Permissible momentary blackout	5ms or less
Dielectric strength (between Input P and S)	3.0kVAC for one minute
Insulation resistance (between P and S)	Greater than 6.132GΩ(500VDC)
Length of cable	AC Power cable: 1.8m, DC cable: 1.2m
Input Plug Shape	AC Code : IEC60320-C5, AC Inlet : IEC60320-C6
External dimensions (mm)	46 (W) x 108 (D) x 30 (H) (not include projection of cable)
Weight	Main body: 210g, AC power cable: 180g
MTBF	100,000H (temperature 25°C)

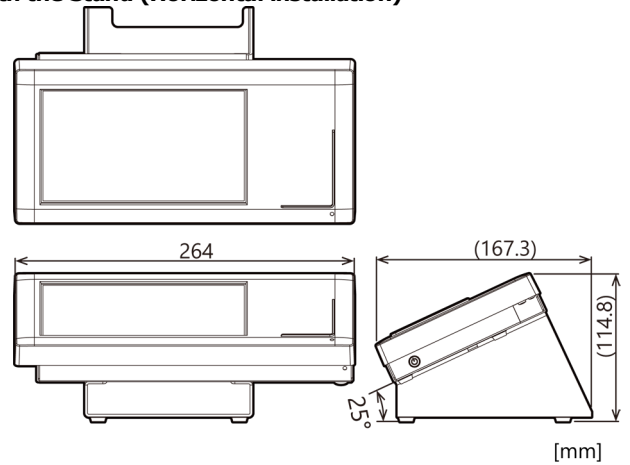
Physical Dimensions

Main Unit



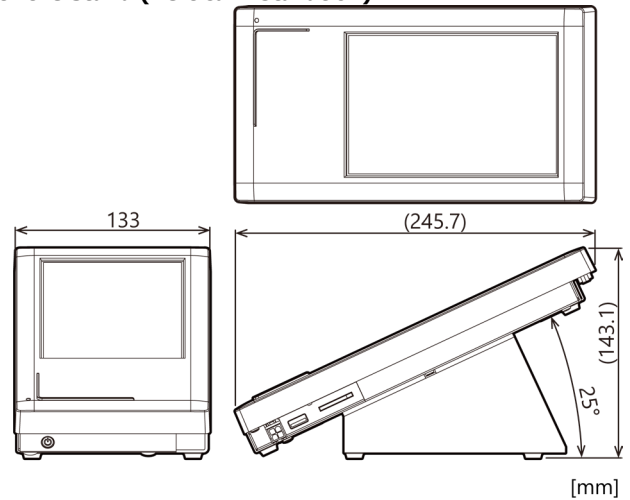
[mm]

With the Stand (Horizontal installation)



[mm]

With the Stand (Vertical installation)



[mm]

Supported OS

- Windows 10 IoT Enterprise LTSB 2016 64bit (Japanese / English / Chinese / Korean)

Optional Products

Item	Model	Description
AC adapter	ACAP19-01	Switching AC adapter 19V 3.42A

Caution

If a product other than our option is used, the normal operation may be impaired or the functions may be limited.

\* Check the CONTEC's Web site for the latest information on these options.

Product Lineup

Model	Memory	Storage	OS
PT-D07WA-110-103M03W16	4GB	32GB	Windows 10 IoT Enterprise LTSB 2016 64bit (Japanese / English / Chinese / Korean)

Intel, Intel Atom, Intel Core and Celeron are registered trademarks of Intel Corporation. MS, Microsoft and Windows are trademarks of Microsoft Corporation. Other brand and product names are trademarks of their respective holder.