

F&eIT Series  
5VDC AC-DC Converter  
**PWD-25AWD5**



\* Specifications, color and design of the products are subject to change without notice.

This product is an AC-DC power supply unit used for the CONTEC F&eIT series.

When using with non-CONTEC equipment, please refer to the maker website for the basic features data and guidance of KH series regarding the specification. (<https://www.cosel.co.jp/en/products/sub01-26.html>)

- \* The contents in this document are subject to change without notice.
- \* Visit the CONTEC website to check the latest details in the document.
- \* The information in the data sheets is as of January, 2024.

**Specifications**

| Item                        | Description  |   |
|-----------------------------|--|---|
| Power supply space          |  |   |
| Rated input voltage         | 100 to 240VAC, 50 to 60Hz  |   |
| Permissible input voltage * | 85 to 264VAC, 50 to 60Hz   |   |
| Input current               | 0.45A typ (115VAC), 0.30A typ (230VAC)   |   |
| Rated output voltage        | 5VDC   |   |
| Rated output current        | 5.0A (Max)   |   |
| Isolation                   | Input-Output   | 3000VAC 1minute 50MΩ (500VDC) (At room temperature) |
|                             | Input-PE   | 2000VAC 1minute 50MΩ (500VDC) (At room temperature) |
|                             | Output-PE  | 500VAC 1minute 50MΩ(500VDC) (At room temperature)   |
| Environmental specs         |  |   |
| Temperature                 | Operating : -20 to +70°C, Non-operating : -30 to +85°C   |   |
| Humidity                    | Operating : 20 to 90%RH (No condensation)<br>Non-operating : 20 to 90%RH (No condensation)             |   |
| Floating dust particles     | Not to be excessive  |   |
| Corrosive gases             | None   |   |
| Vibration resistance        | 10 to 55Hz / 20G   |   |
| Construction                |  |   |
| Length of DC cable (mm)     | 200 (not include connector)  |   |
| External dimensions (mm)    | 22.5(W) x 75(D) x 90 (H) (not include projection)  |   |
| Weight                      | Main body : 165g Max.  |   |
| Longevity                   | 7 years or longer (temperature 50°C, Input 100VAC, Output 3.5A)<br>*Depending on the installing method |   |

\* The derating is required. The more details information about the derating should see at User's Guide of web.

**Packing List**

- Product...1
- DC Cable ...1
- Warranty Certificate ...1
- Serial Number Label...1
- Product Guide ...1

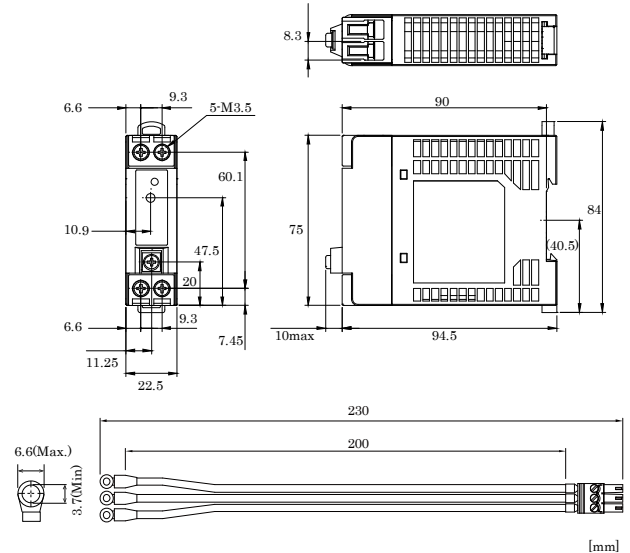
\* This product requires an AC cable. We have a recommended AC cable as an optional product (IPC-ACCODE3). Visit the CONTEC website for the detailed information on AC cables.

**Option**

| Product Name   | Model type  | Description  |
|----------------|-------------|--|
| AC power cable | IPC-ACCODE3 | AC cable with 3-round-end terminal (Length : 2 meters, Rating : 7A 125V) |

Visit the CONTEC website for the latest optional products.

**Physical Dimensions**



[mm]