

SWITCHING AC ADAPTER (12VDC) PWA-65AWD1



* Specifications, color and design of the products are subject to change without notice.

Packing List

- AC adapter ...1
- Warranty Certificate ...1
- AC power cable (100VAC, 3pin) *1*2 ...1
- Serial Number Label ...1
- User's Guide ...1

- *1 Do not use the AC power cable other than in Japan as it is only available with the 100VAC. In the case that the voltage that this cable uses do not match you need to prepare other cable particularly.
- *2 Do not use this AC power cable with any devices except for a bundled AC adapter.

Specification

Requirement	Description
Power supply space	
Rated input voltage	100VAC to 240VAC (continuous input), 50 to 60Hz
Permissible input voltage	90 - 264VAC (continuous input, Power consumption 60W or less)
Input current	2.0A RMS Max. (AC IN 100VAC)
Rated output voltage	+12VDC±5%
Rated output current	5.417A (Max.)
Hold up time	6ms or less (115VAC)
Dielectric strength (between Input P and S)	3.0kVAC for six second
Insulation resistance (between P and S)	Greater than 50MΩ (500VDC)
Environmental specs	
Surrounding temperature	Operating: 0 to +40 °C Storage: -25 to +60 °C
Surrounding humidity	Operating: 10 - 85%RH (No condensation) Storage: 10 - 95%RH (No condensation)
Floating dust particles	Not to be excessive
Corrosive gases	None
Standard (Excluding AC power cable)	PSE, FCC, UL/cUL, CE, TUV-GS, CCC, BSMI, KC, RCM, CB, RoHS, China RoHS
Others	
Cable length	AC power cable: 2m, DC cable: 1.5m
External dimensions (mm)	68(W) x 153(D) x 35(H) (not include projection of cable)
Weight	Main body: 650g, AC power cable: 180g
MTBF *1*2	100,000H (temperature 25 °C)
Life *1*2	6.3year (temperature 40°C, At load 2.55A, when connected BX-825 series) 17.8year (temperature 25°C, At load 2.55A, when connected BX-825 series)

*1 Note that MTBF and life is only referential value, not guaranteed value.

*2 Referential value when used with a specified PC.

Specification

Bracket

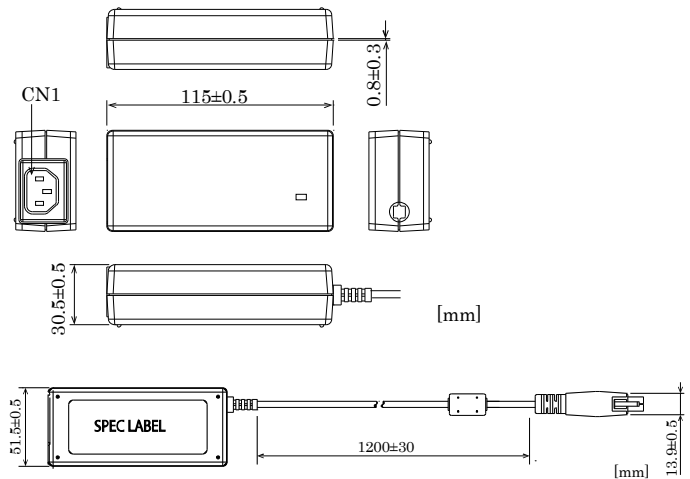
- BX-BKT-PWA-02 AC adapter bracket for the box computer (for setting the bracket to the side of the specified device)
Applied product : BX-956SD-DCxxxxxx

This product is the AC adapter for input: 100 - 240VAC and output: +12VDC 5.417A (Max.).

With the manual of your product supplied by Contec, confirm that this adapter supports your model. (It is not possible to use it excluding the target model.)

- * The contents in this document are subject to change without notice.
- * Visit the CONTEC website to check the latest details in the document.
- * The information in the data sheets is as of October 2019.

Physical Dimensions



With an optional bracket

